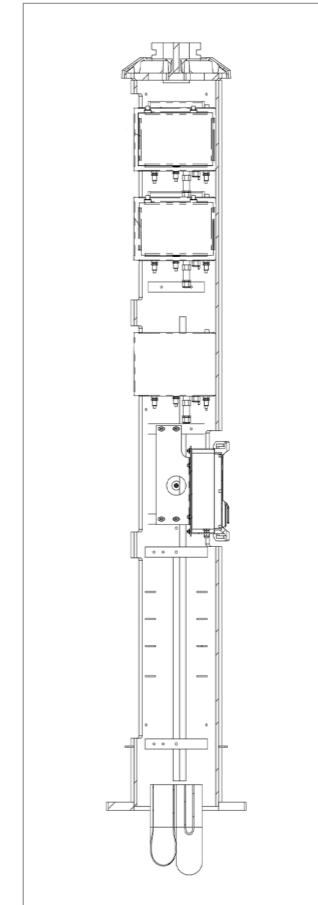
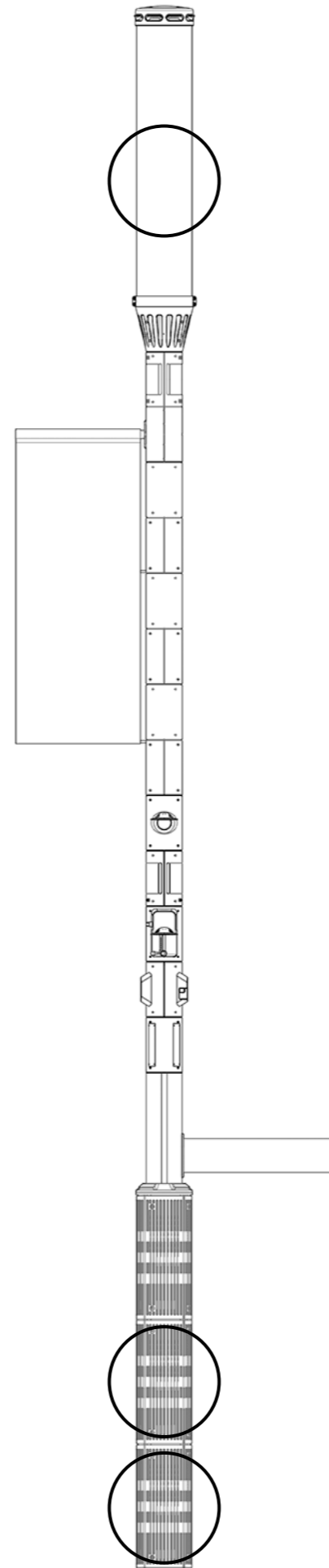
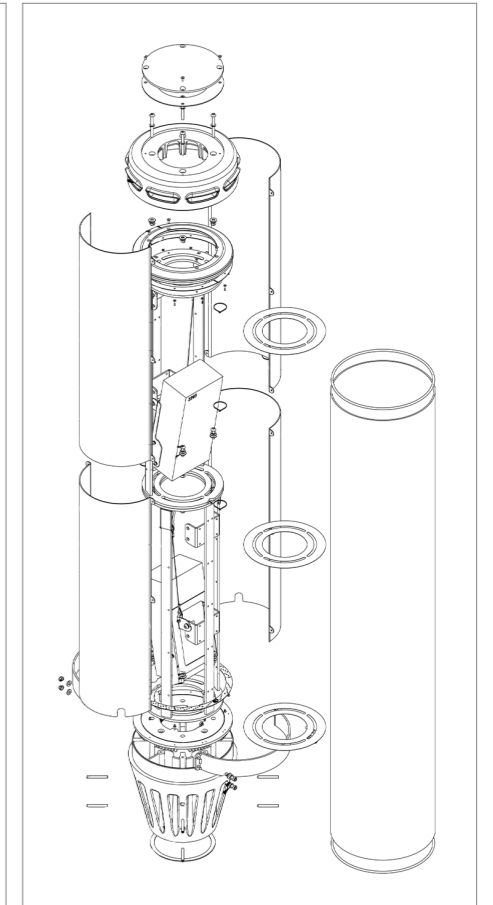




THE ROCKS, SYDNEY



4G/5G SMALL CELLS IN BASE SECTION VIEW



4G/5G SMALL CELL IN eBeacon EXPLODED VIEW



2.4 SMART.NODE™ 4G/5G Capability

The SMART.NODE™ is a discrete, neutral host piece of urban infrastructure, hosting multiple 4G and 5G small cells and antennas from within the structure. Nokia, Ericsson and Hauwei 4G and 5G small equipment are all accommodated by the SMART.NODE™.

There are three areas designated to accommodate the required telecommunications equipment for 4G/5G cellular service:

- 1 area in the eBeacon
- 2 areas in the Base

ENE.HUB has already arranged national agreements with telecommunications carriers for the discrete deployment of 4G and 5G small cells within the SMART.NODE™.

4G/5G Small Cells Access Points Currently Accommodated by SMART.NODE™			
Brand	Model	Specifications Summary	
Ericsson	Radio 2203	Pwr Consumption	95 Watts
		Output	2 x 5W
		Dimensions	200(L) x 200(W) x 100 (D)
		Communication	Fibre
Nokia	AHEGB	Pwr Consumption	320 Watts
		Output	2 x 40W
		Dimensions	560(L) x 308(W) x 149(D)
		Communication	Fibre

THE TECHNOLOGY ACCOMMODATED BY THE SMART.NODE™ IS CONTINUOUSLY EVOLVING. ENE.HUB CAN INVESTIGATE THE ACCOMMODATION OF ADDITIONAL SMART CITY SERVICE DEVICES.