



ROYAL BOTANIC GARDEN, SYDNEY



### 3.1.1 Public Announcement System

#### Purpose

The SMART.NODE™ MTM can host a range of speaker hardware. Current models include slim column speakers designed for sound reproduction in larger venues, providing optimised sound dispersion and speech intelligibility encased in a classic design.

The SMART.NODE™ Base can accommodate an Audio Bridge solution for connecting analogue and digital audio systems. With a scalable design, analogue audio sources can be plugged into a digital speaker system and digital audio sources plugged into an analogue speaker system. Analogue and digital speaker systems can also be combined to act as one.

The Audio Bridge is small, and easy to connect using PoE.

#### Equipment List

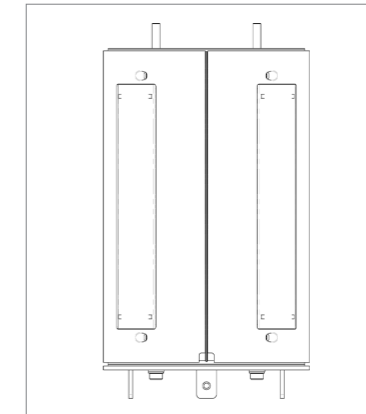
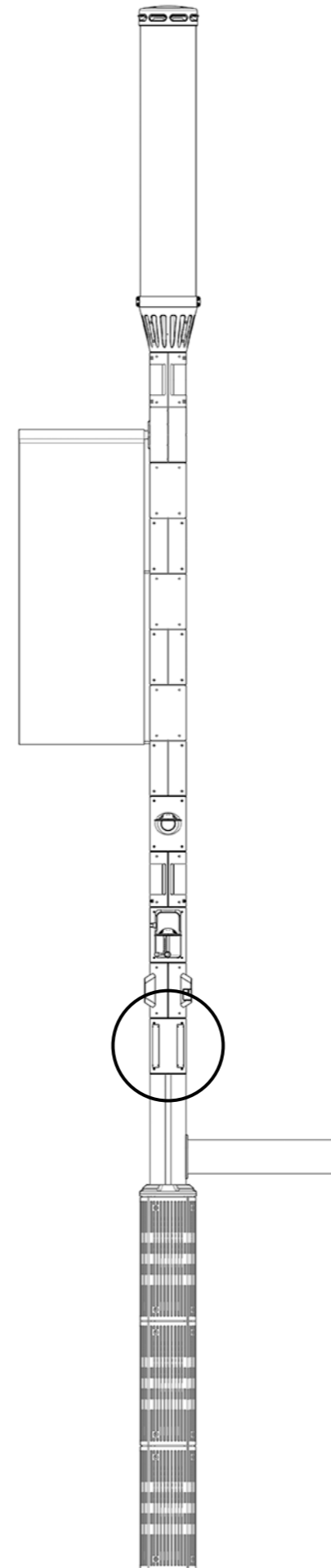
Devices used for the public announcement system are as follows:

- Speaker
- Audio Bridge Axis C8053

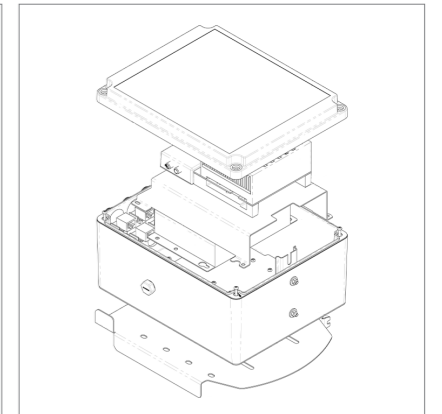
#### Control System

Public announcement system data is visualised, controlled and analysed through the e<sup>3</sup> CMS platform, and includes:

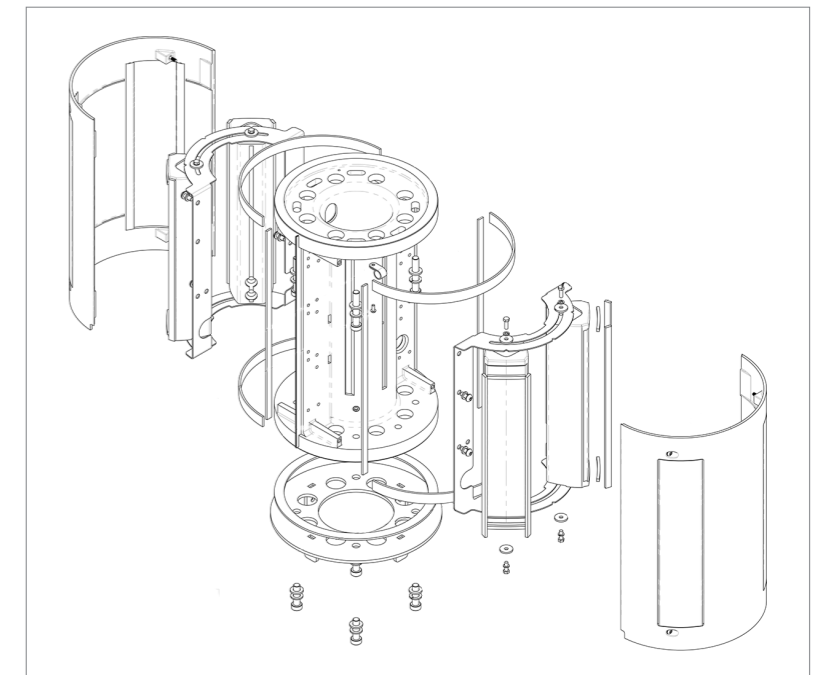
- Axis Media Player
- CMS Audio Player



PUBLIC ANNOUNCEMENT SYSTEM  
SIDE VIEW



AUDIO BRIDGE  
EXPLODED VIEW



PUBLIC ANNOUNCEMENT SYSTEM EXPLODED VIEW

Public Announcement System Access Points Currently Accommodated by SMART.NODE™			
The PA System allows for verbal communications between the client and the general public, achieved using the communication and power capacity of the S.N.			
Brand	Model	Specifications Summary	
Apart	COLS41	Pwr Consumption	20 Watts
		Output	20 Watts / 8 ohms
		Dimensions	260(L) x 66(W) x 77-102(D)
		Communication	Figure 8
Axis Communications	C8033 Network Audio Bridge	Pwr Consumption	8-28 V DC / max 4 W typical 1.85 W
		Output	One-way/two-way, mono
		Dimensions	24(D) x 57(W) x 129(L)
		Communication	PoE (802.3af)

THE TECHNOLOGY ACCOMMODATED BY THE SMART.NODE™ IS CONTINUOUSLY EVOLVING. ENE.HUB CAN INVESTIGATE THE ACCOMMODATION OF ADDITIONAL SMART CITY SERVICE DEVICES.