



ROYAL BOTANIC GARDEN, SYDNEY



3.1.2 Public Wi-Fi

Purpose

The installation of a wireless access gateway in the SMART.NODE™ Base gives access to the general public to connect devices remotely to the internet. This component includes the installation of the Wi-Fi repeater within the SMART.NODE™, and connectivity via the ethernet cabling installed.

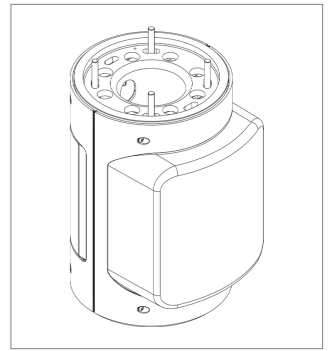
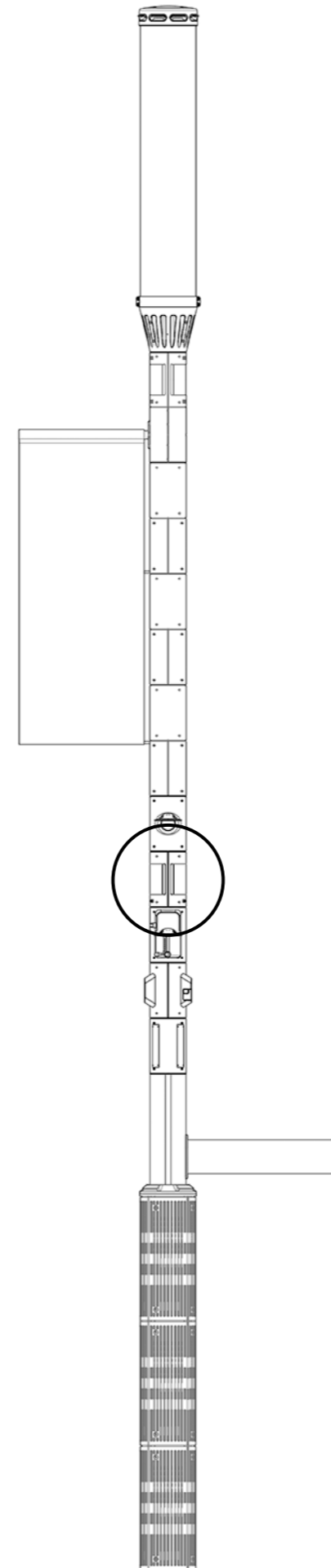
The SMART.NODE™ hosts a dual-radio, cloud-managed access point designed for best-effort Wi-Fi deployment. Because the access point is managed via cloud, the Wi-Fi unit can deliver real-time alerts if networks encounter problems, while diagnostic tools enable real-time troubleshooting online. Local authorities can also set policies based on types of traffic. Critical applications can be prioritised, and limits placed to manage recreational traffic.

Moreover, new features, bug fixes and enhancements are delivered over the web, eliminating the need for manual software updates or concern over security gaps.

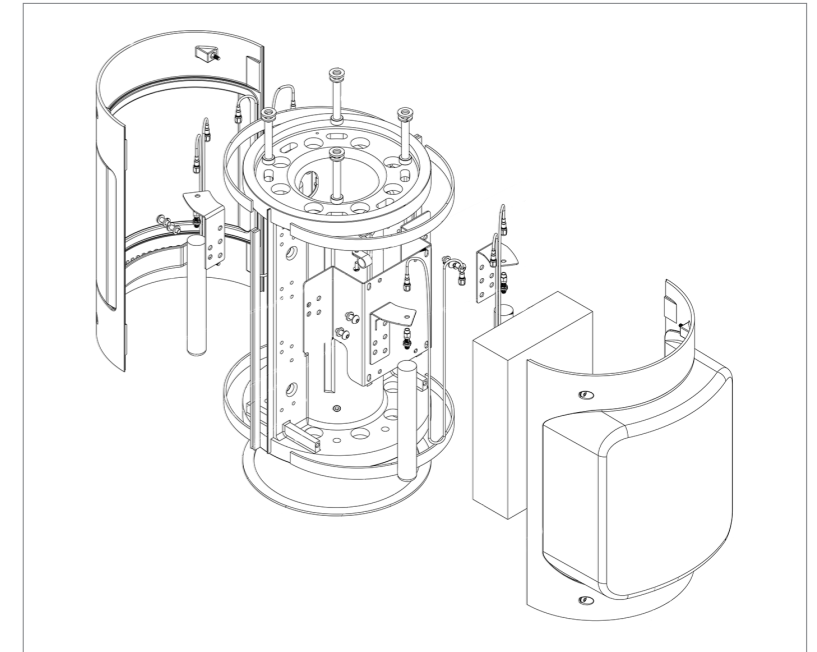
Equipment List

Devices used for public Wi-Fi are as follows:

- Cisco, Aruba, Advantech, Ruckus, NetGear Compliant
- 2.4 GHz/ 5 GHz & Lite GHz



PUBLIC WI-FI ASSEMBLED VIEW



PUBLIC WI-FI EXPLODED VIEW

Public Wi-Fi Access Points Currently Accommodated by SMART.NODE™			
The Wi-Fi allows clients to put in place both public and private Wi-Fi networks, and monitor the consumption of internet usage. ENE-HUB have the capacity to service 2.4, 5 & 6 GHz signal, in a variety of distance ranges.			
Brand	Model	Specifications Summary	
CISCO	MR70	Pwr Consumption	37-57V DC / 11 Watts
		Output	2.4 GHz & 5 GHz
		Dimensions	245(L) x 115(W) x 30 (D)
		Communication	PoE (802.3af)
CISCO	MR74	Pwr Consumption	37-57V DC / 11 Watts
		Output	2.4 GHz & 5 GHz
		Dimensions	256 (L) x 158 (W) x 65 (D)
		Communication	PoE (802.3af)
Aruba	530 Series	Pwr Consumption	48V DC / 26.4 Watts
		Output	2.4 GHz & 5 GHz / 6GHz
		Dimensions	240(L) x 240(W) x 53 (D)
		Communication	PoE (802.3bt or 802.3af)
STILL BEING DESIGNED			
Ruckus	T310 Series	Pwr Consumption	37-57V Dc 11 Watts
		Output	2.4 GHz & 5 GHz
		Dimensions	181(L) x 151(W) x 79 (H)
		Communication	PoE (802.3af)
STILL BEING DESIGNED			

THE TECHNOLOGY ACCOMMODATED BY THE SMART.NODE™ IS CONTINUOUSLY EVOLVING. ENE.HUB CAN INVESTIGATE THE ACCOMMODATION OF ADDITIONAL SMART CITY SERVICE DEVICES.