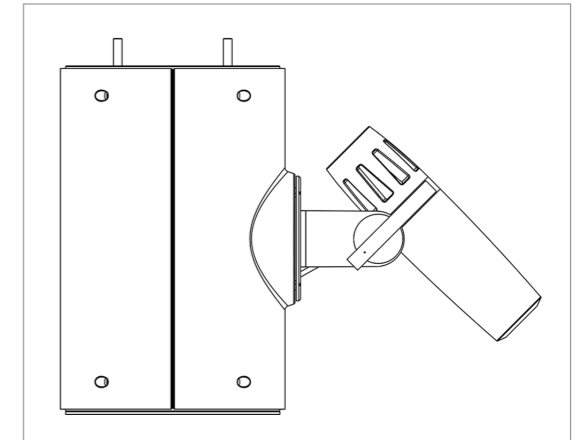
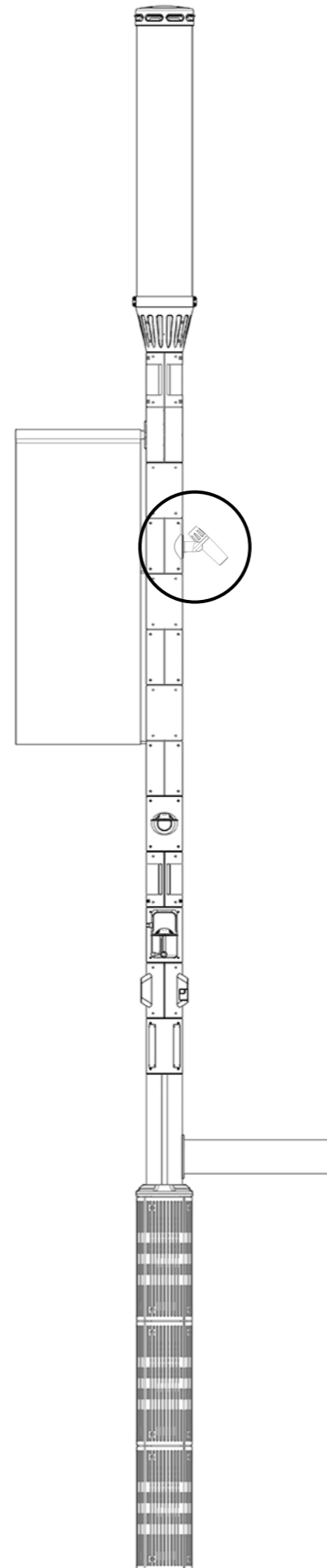
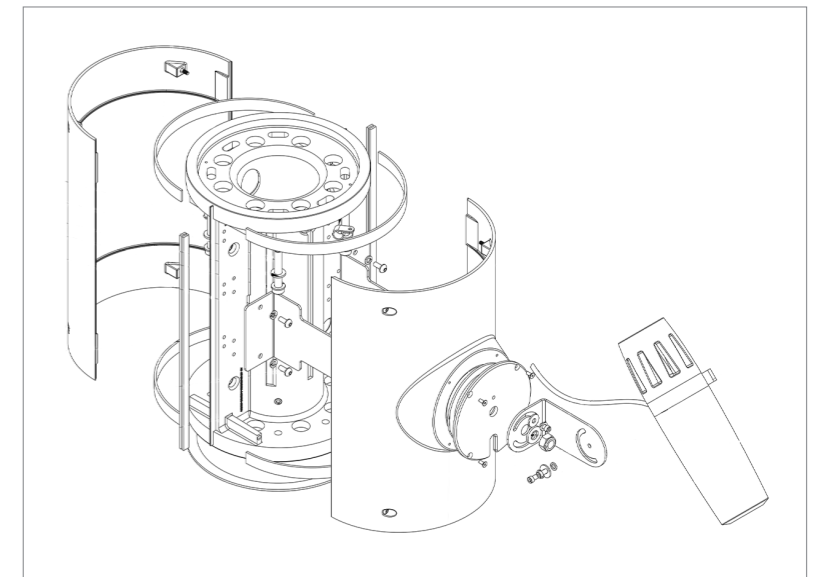




CHINATOWN, BRISBANE



CREATIVE LIGHTING
ASSEMBLED VIEW



CREATIVE LIGHTING EXPLODED VIEW



3.2.7 Creative Lighting

Purpose

Short for "Go Between Optics", a GoBo is a stencil or template used to control the shape of emitted light from a light source. While not a new technology, GoBos are increasingly being used in the public space to serve a creative purpose as an alternative, or complement, to banners and signage.

The SMART.NODE™ MTM can accommodate moveable fixtures for year-round outdoor use to suit a range of creative and communicative purposes in the public space. GoBo motifs can be changed without the need for tools.

Equipment List

Devices used to collect Creative Lighting data is as follows:

- PHOS

Control System

Creative Lighting data is visualised, controlled and analysed through the e³ CMS platform.

Performance Data

For detailed information please refer to the product specification datasheet.

- Power Line Communication
- LoRaWAN
- Wi-Fi
- Fully operational and functional remote lighting control systems

Creative Lighting Access Points Currently Accommodated by SMART.NODE™

The GoBo units have been integrated in a way to allow clients to be able to projects on to a hard surface a defined lite graphical display. The system allows for remote control of the device, with the added advantage of both static and rotating.

Brand	Model	Specifications Summary	
Derksen® Lichttechnik	PHOS 85	Pwr Consumption	100 - 240V AC @ 92watts
		Output	Rotating
		Dimensions	285(L) x 100(R) x 162(D)
		Communication	Power Line Communication (DALI)
STILL IN CMS INTEGRATION			
Ayrton	Perseo	Pwr Consumption	100 - 240V AC @ 900watts
		Output	Projected Pictorial (Up to 18)
		Dimensions	490(L) x 710(H) x 329(D)
		Communication	Ethernet
STILL BEING DESIGNED			

THE TECHNOLOGY ACCOMMODATED BY THE SMART.NODE™ IS CONTINUOUSLY EVOLVING. ENE.HUB CAN INVESTIGATE THE ACCOMMODATION OF ADDITIONAL SMART CITY SERVICE DEVICES.