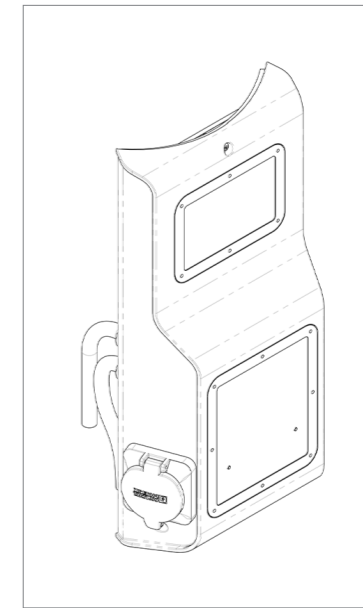
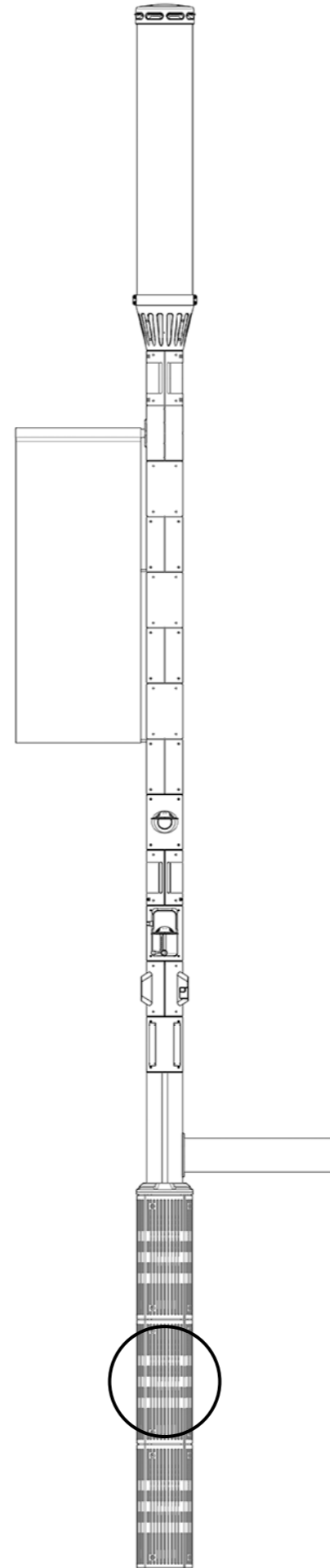
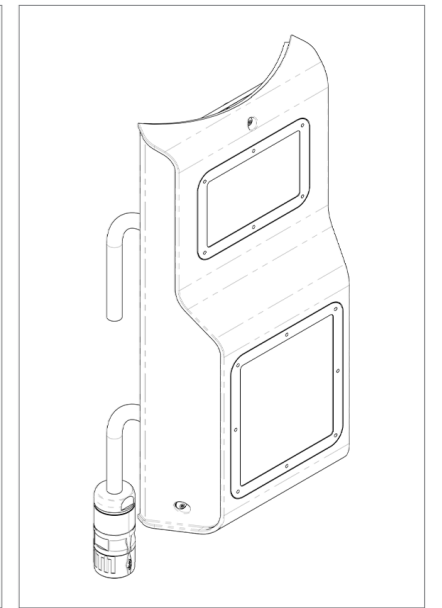




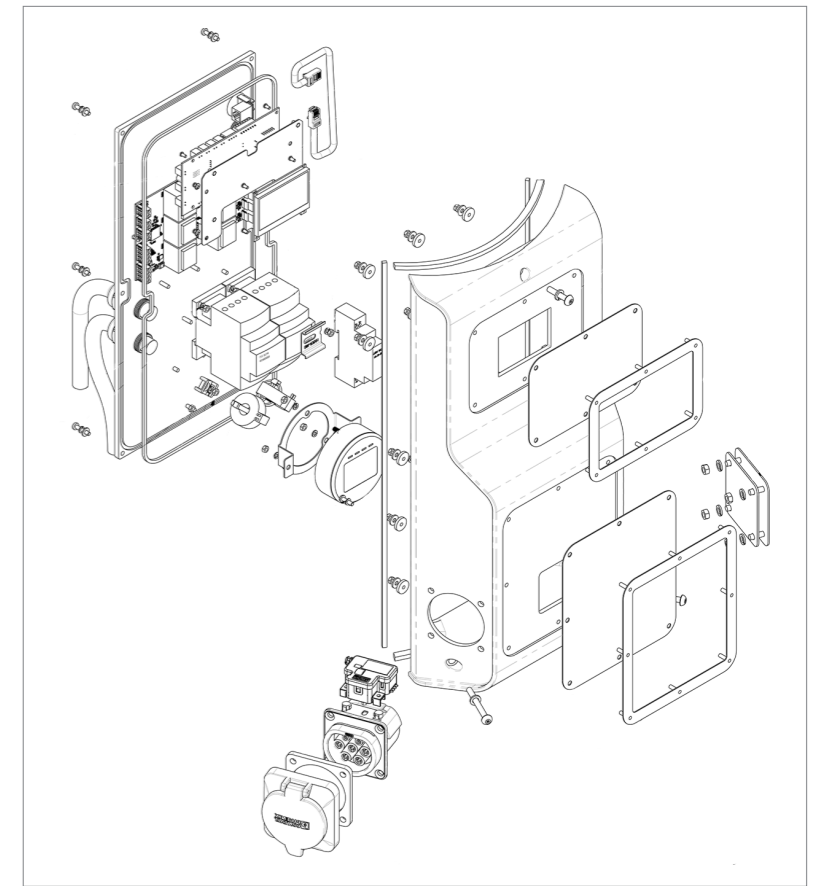
BLACKTOWN, SYDNEY



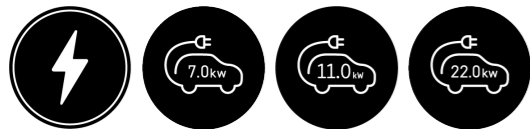
EVC (AUS)  
ASSEMBLED VIEW



EVC (USA)  
ASSEMBLED VIEW



EVC (AUS) EXPLODED VIEW



### 3.2.8 EVC (Low, Medium, High Capacity)

#### Purpose

Designed for Smart City roads, the SMART.NODE™ EVC is a dedicated charging station located in the base of the asset and fit for use by Australia's growing fleet of electric vehicles (EVs). The rate of charge depends on each EV's on-board charger, with 2.5 kW to 7 kW being the usual rate for current models.

As state authorities and the Federal Government expand EV subsidies and tax rebates nationwide, and the purchasing cost of an EV approaches parity with traditional vehicles, demand for EV is bound to rise. Local authorities will come under pressure to provide the appropriate infrastructure in tandem with this growth.

Coupling the right charging hardware with the right software application, such as Chargefox, helps local authorities in their bid to provide the best charging experience for communities. Chargefox runs a large-scale network of more than 400 EVCs across Australia and New Zealand, using a corresponding smartphone app to handle payments for each charging session.