



CHINATOWN, BRISBANE



3.2.1 External GPO

Purpose

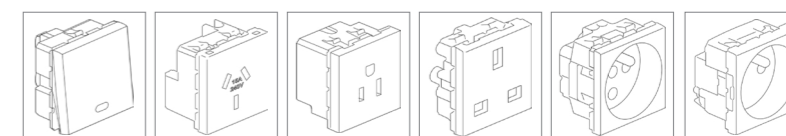
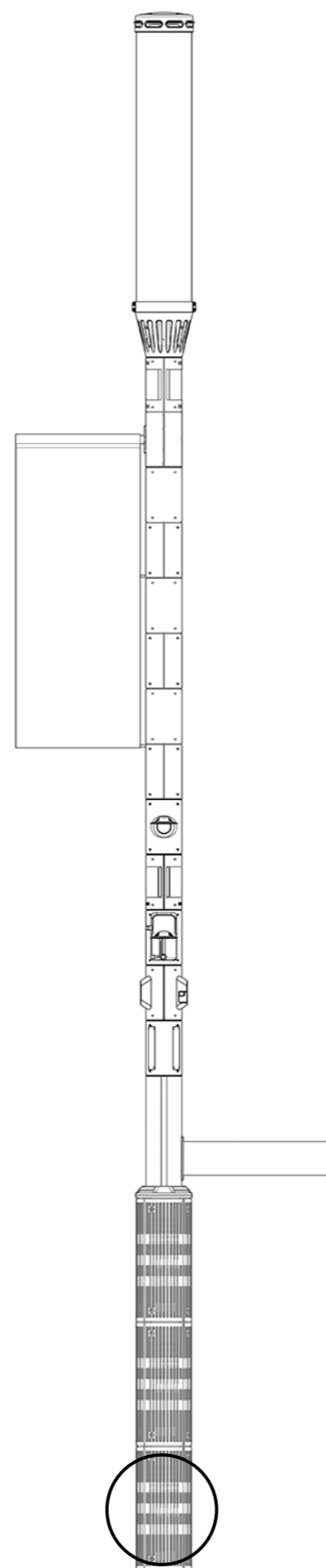
The SMART.NODE™ Base can host external power sources for use by authorities when hosting public events.

Current models range in size from 32V 10A to 500V 50A, and feature hose-proof and dust resistant flaps with automatic snap catch latches. Transparent flap allows for immediate visual inspection of each sockets' condition, and pin configuration. A range of vandal-proof sockets and plates are available, including keyswitches and other adaptors.

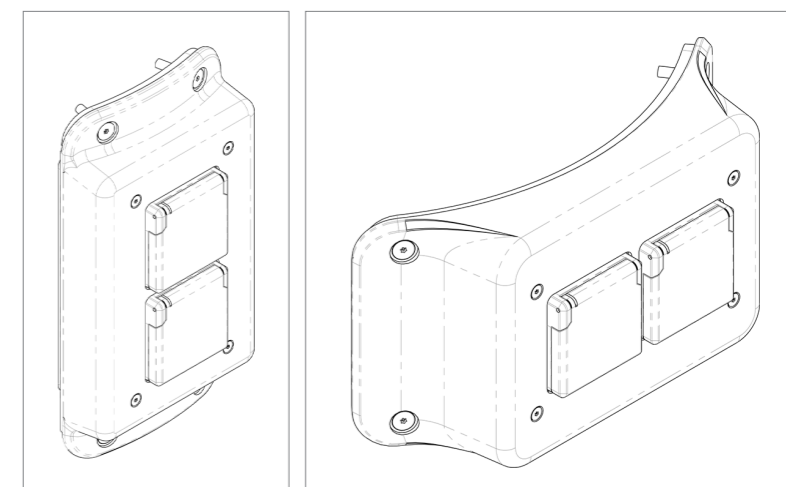
Equipment List

Devices used for external GPO are as follows:

- Legrand Soliroc Range
- Power Outlet 10A, 15A
- Outlet sockets available for Australia, China, UK, North & South America, Italy

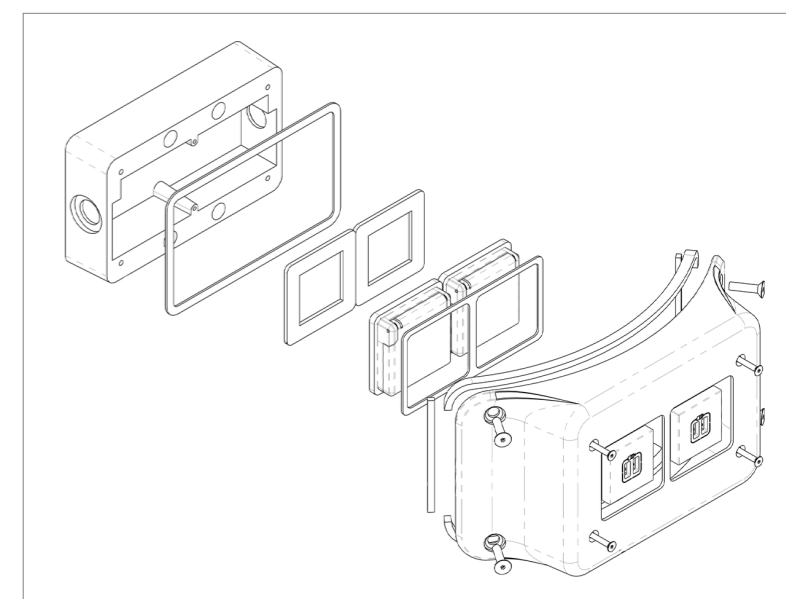


EXTERNAL GPO (2-WAY SWITCH, AUSTRALIAN SOCKET, AMERICAN SOCKET, BRITISH SOCKET, GERMAN SOCKET, FRENCH SOCKET) ASSEMBLED VIEW



EXTERNAL GPO (VERTICAL) ASSEMBLED VIEW

EXTERNAL GPO (HORIZONTAL) ASSEMBLED VIEW



EXTERNAL GPO (HORIZONTAL) EXPLODED VIEW

External GPO Access Points Currently Accommodated by SMART.NODE™			
The external single and three phase power socket outlets allow for the client to supply power to party for such things as community functions. Such outlet has the capacity to be remotely monitored through the CMS platform. Remote control of these outlets is currently being designed and is expected to be available 2021.			
Brand	Model	Specifications Summary	
Clipsal	3 Phase Socket Outlet	Pwr Consumption	32 amp @ 415-440 Vac
		Output	External Power Socket
		Dimensions	204(L) x 101(W) x 63 (H)
		Communication	LoRaWAN / Wi-Fi (Future)
STILL BEING DESIGNED			
Legrand	Single Phase socket outlet Soliroc™	Pwr Consumption	10 amp @ 110-240 Vac
		Output	External Power Socket
		Dimensions	110(L) x 110(W) x 10(D)
		Communication	LoRaWAN / Wi-Fi (Future)

THE TECHNOLOGY ACCOMMODATED BY THE SMART.NODE™ IS CONTINUOUSLY EVOLVING. ENE.HUB CAN INVESTIGATE THE ACCOMMODATION OF ADDITIONAL SMART CITY SERVICE DEVICES.