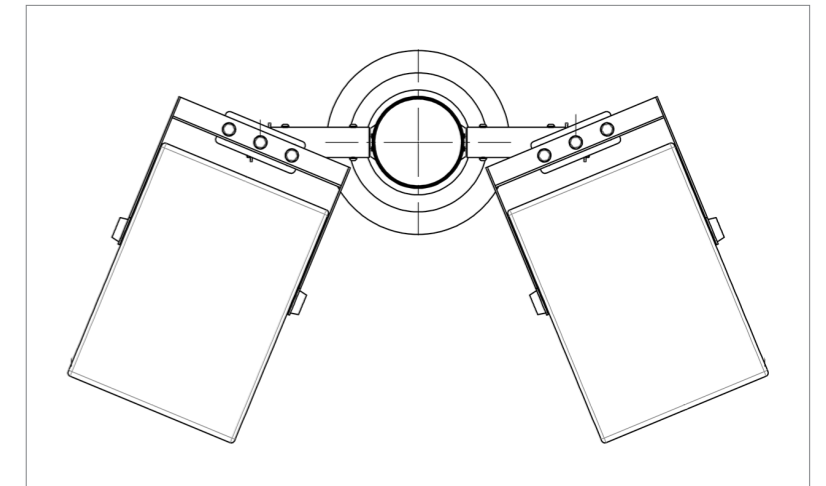
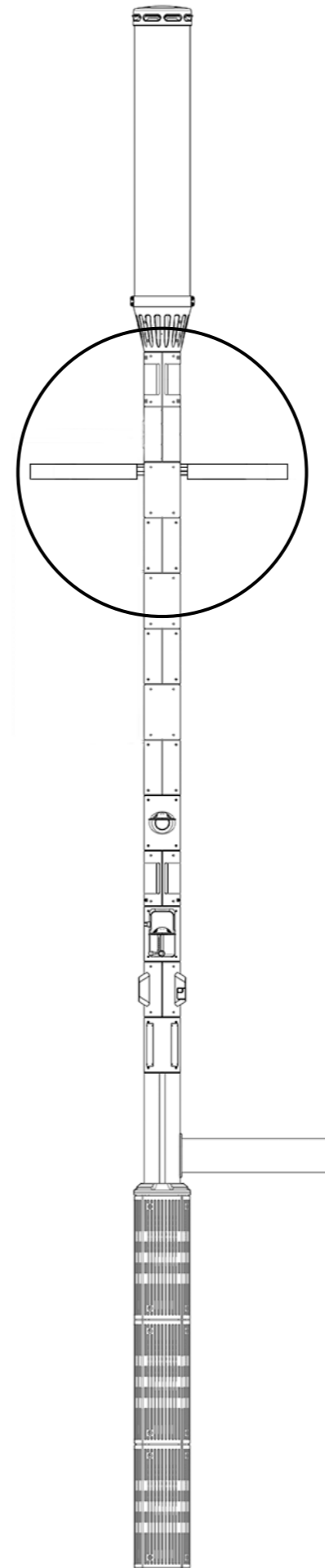
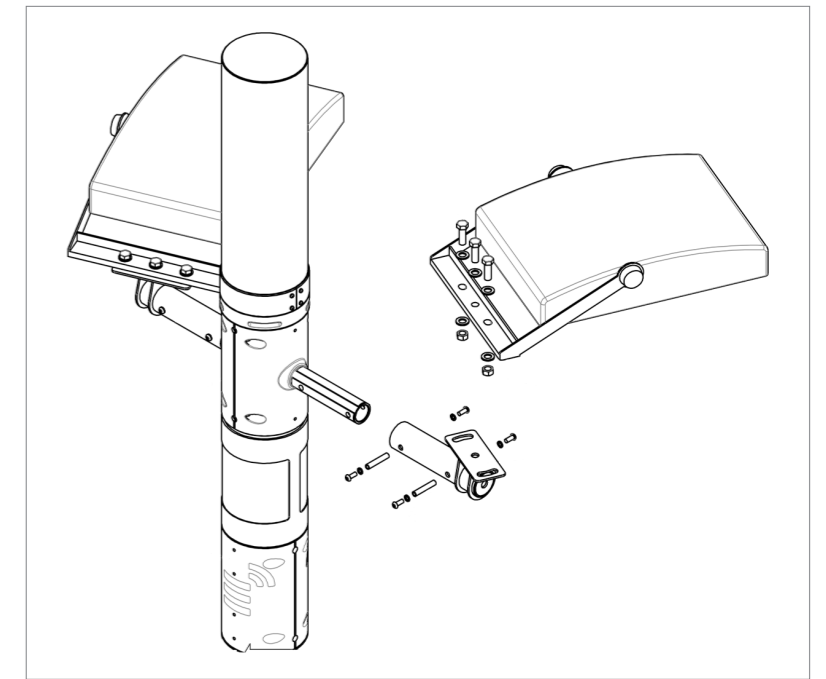




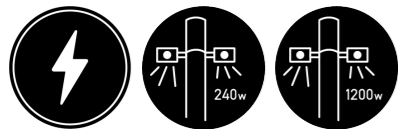
GEE LONG FORESHORE



LED FLOODLIGHT
TOP VIEW



LED FLOODLIGHT EXPLODED VIEW



3.2.6 LED Floodlight

Purpose

A floodlight is a general purpose, high-intensity artificial light with a broad beam. The SMART.NODE™ MTM can host a range of flood lighting fittings, including those used for garden and landscape lighting, architectural or security lighting, or as specific lighting instruments during public events.

Current fittings operate on standard Australian mains voltage, and require zero lamp maintenance.

Equipment List

Devices used to collect LED Floodlight data is as follows:

- Smart lighting controller
- Power Linc
- LoRaWAN
- Sigfox
- Wi-Fi

Control System

Floodlight data is visualised, controlled and analysed through the e³ CMS platform.

Performance Data

For detailed information please refer to the product specification datasheet

- Power Line Communication
- LoRaWAN
- Wi-Fi
- Fully operational and functional remote lighting control systems