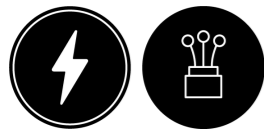




WEST HOLLYWOOD, LOS ANGELES



3.2.3 Optical Fibre Outlet

Purpose

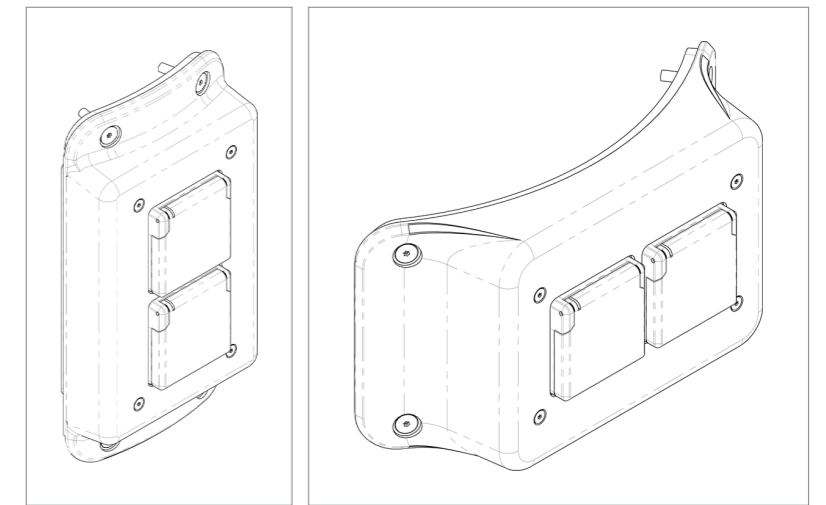
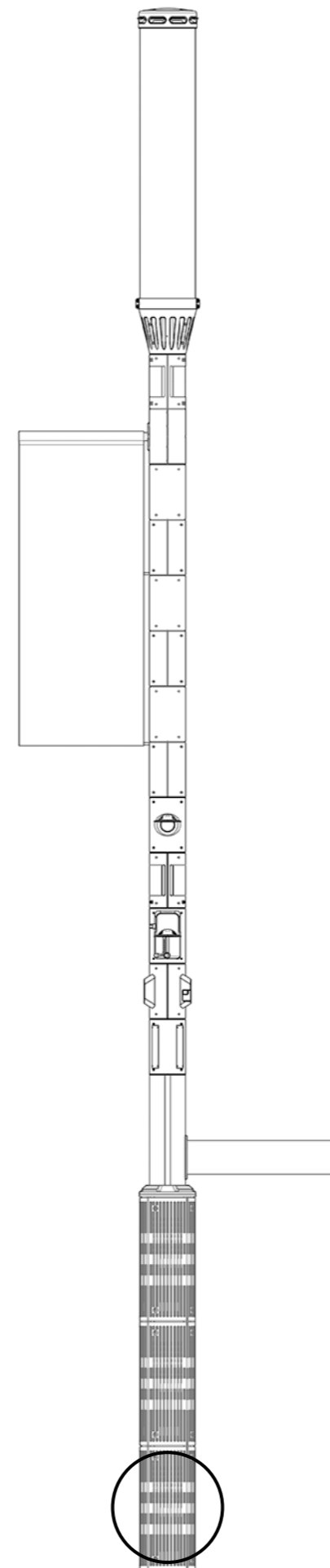
Optical fibre outlets are compact fibre organisers used to house and protect optical fibre services.

The SMART.NODE™ optical fibre outlet houses a duplex LC connector, allowing the Land Authority to easily connect to the optic fibre network.

Equipment List

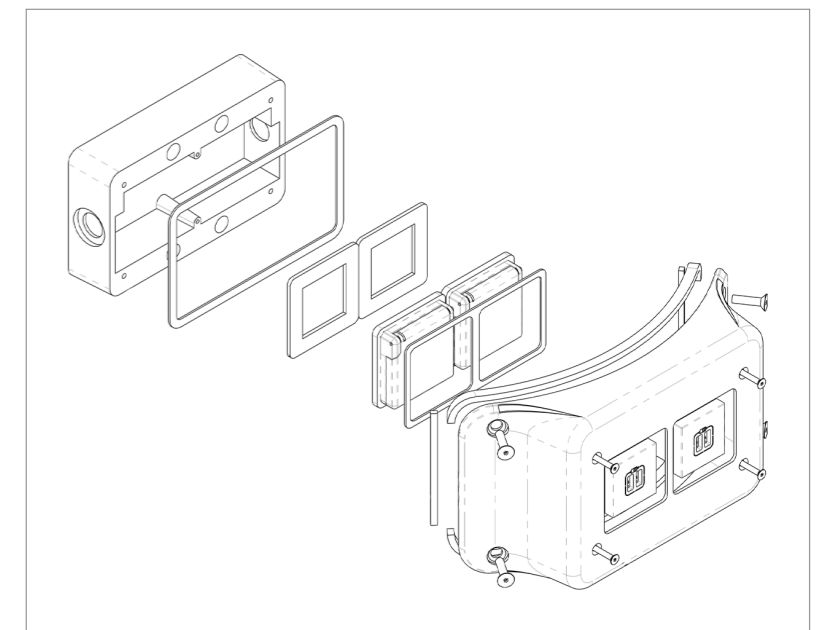
Devices used for optical fibre outlet are as follows:

- Legrand / HPH keystone
- Tyco electronic LC through connector



OPTICAL FIBRE OUTLET (VERTICAL)
ASSEMBLED VIEW

OPTICAL FIBRE OUTLET (HORIZONTAL)
ASSEMBLED VIEW



OPTICAL FIBRE OUTLET (VERTICAL) EXPLODED VIEW

Optical Fibre Outlet Access Points Currently Accommodated by SMART.NODE™

The external utility outlet unit allows for the integration of such device as USB, Qi, RCA, HDMI, Ethernet Port, Optical Fibre outlet to be supplied to the clients, and as such allow the client to put in place a variety of connection points for internal or third party use.

Brand	Model	Specifications Summary	
Legrand	Arteor™	Pwr Consumption	1 to 240 V AC/DC
		Output	USB 2.0, USB Type C, HDMI, Ethernet, VGA, Optical Fibre, RCA (Audio), 3.5mm (Audio), Light Switch, Photocell, Television, Emergency Stop
		Dimensions	110(L) x 110(W) x 10(D)
		Communication	LoRaWAN / Wi-Fi / 2.4GHz / 5GHz / 6GHz / Hardwire
STILL BEING DESIGNED			

THE TECHNOLOGY ACCOMMODATED BY THE SMART.NODE™ IS CONTINUOUSLY EVOLVING. ENE.HUB CAN INVESTIGATE THE ACCOMMODATION OF ADDITIONAL SMART CITY SERVICE DEVICES.