



'FUTURE STREET', SYDNEY CBD



3.2.2 External USB Charging Unit

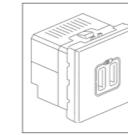
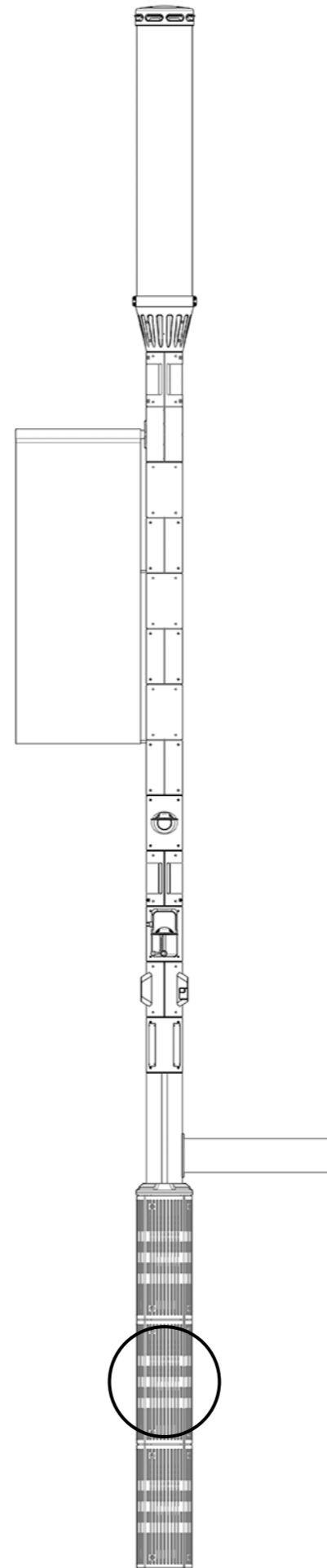
Purpose

SMART.NODE™ External USB outlets allow for members of the general public to charge portable devices, including smartphones, music devices and tablets. Current USB outlet models offer options for single and double USB sockets.

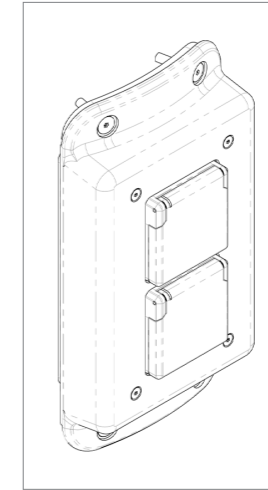
Equipment List

Devices used for external USB charging unit are as follows:

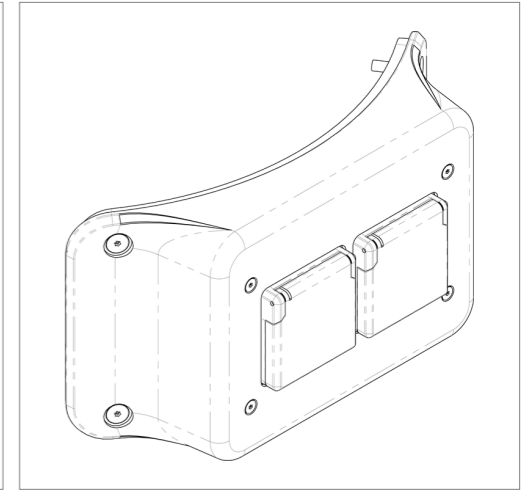
- Legrand
- USB charging capacity 2.0, 3.0, Micro, C
- Legrand Qi Wireless charging
- Compatible with iOS, Android, and enabled wireless charging devices



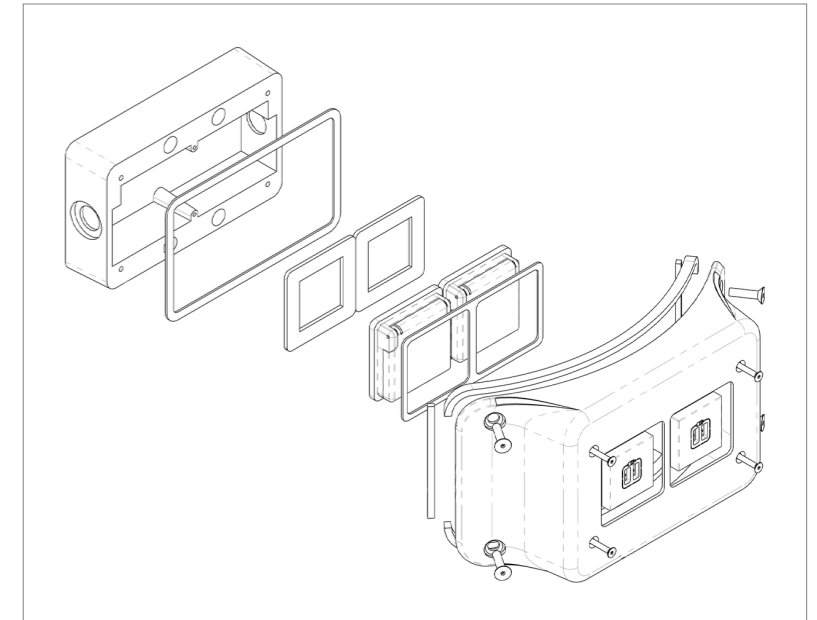
EXTERNAL USB CHARGING UNIT (DOUBLE USB) ASSEMBLED VIEW



EXTERNAL USB CHARGING UNIT (VERTICAL) ASSEMBLED VIEW



EXTERNAL USB CHARGING UNIT (HORIZONTAL) ASSEMBLED VIEW



EXTERNAL USB CHARGING UNIT (HORIZONTAL) EXPLODED VIEW

External USB Charging Unit Access Points Currently Accommodated by SMART.NODE™

The external utility outlet unit allows for the integration of such device as USB, Qi, RCA, HDMI, Ethernet Port, Optical Fibre outlet to be supplied to the clients, and as such allow the client to put in place a variety of connection points for internal or third party use.

Brand	Model	Specifications Summary	
Legrand	Arteor™	Pwr Consumption	1 to 240 V AC/DC
		Output	USB 2.0, USB Type C, HDMI, Ethernet, VGA, Optical Fibre, RCA (Audio), 3.5mm (Audio), Light Switch, Photocell, Television, Emergency Stop
		Dimensions	110(L) x 110(W) x 10(D)
		Communication	LoRaWAN / Wi-Fi / 2.4GHz / 5GHz / 6GHz / Hardwire
STILL BEING DESIGNED			

THE TECHNOLOGY ACCOMMODATED BY THE SMART.NODE™ IS CONTINUOUSLY EVOLVING. ENE.HUB CAN INVESTIGATE THE ACCOMMODATION OF ADDITIONAL SMART CITY SERVICE DEVICES.