



BRACKEN RIDGE, BRISBANE



3.3.4 Air Quality Monitoring (Sensor)

Purpose

Tiny particles from industrial activity, exhaust fumes, building heating and pollen all pose a risk to people as they navigate public spaces. In extreme cases, poor air quality can contribute to respiratory and coronary diseases, and even lung cancer. As such, measuring the Air Quality Index (AQI) is an essential function of every Smart City.

The SMART.NODE™ MTM can accommodate particle and dust sensors that send AQI data to the e(3) in real-time. Current models are heat and humidity-resistant, and designed to perform in a range of outdoor environments.

As a reference, AQI values run between 0 to 500, with an AQI value of 500 representing hazardous air quality. Good to moderate air quality ranges between 0 to 100.

Equipment List

Device used to collect air quality monitoring data is as follows:

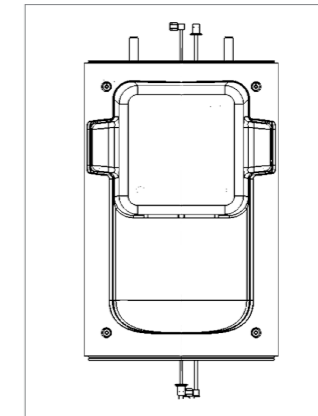
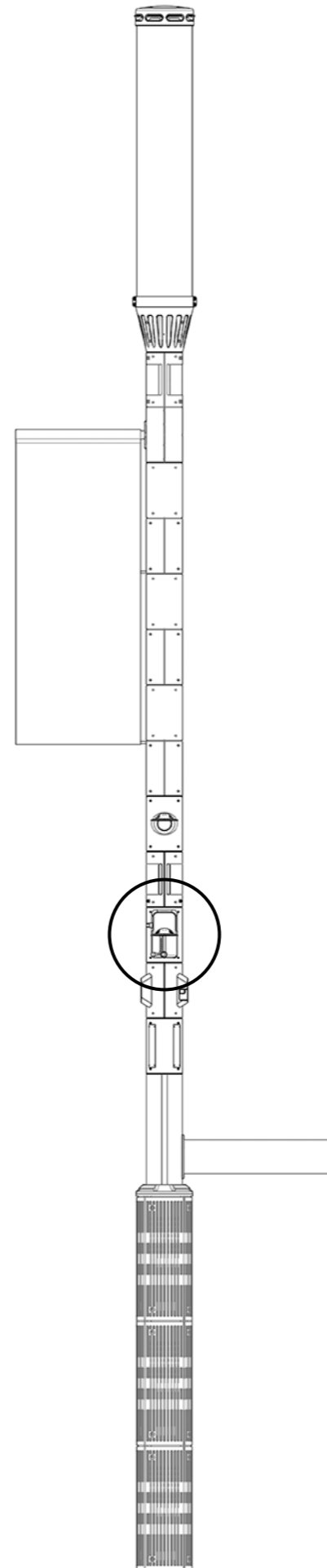
- Libelium Smart City Pro Waspnote

Control System

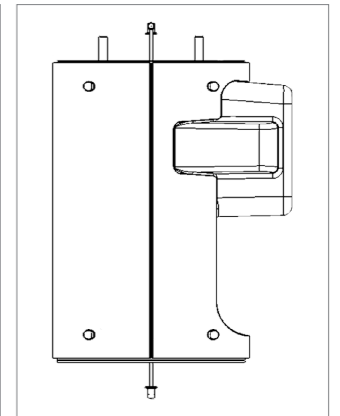
Air quality monitoring data is visualised, controlled and analysed through the e³ CMS platform.

Performance Data

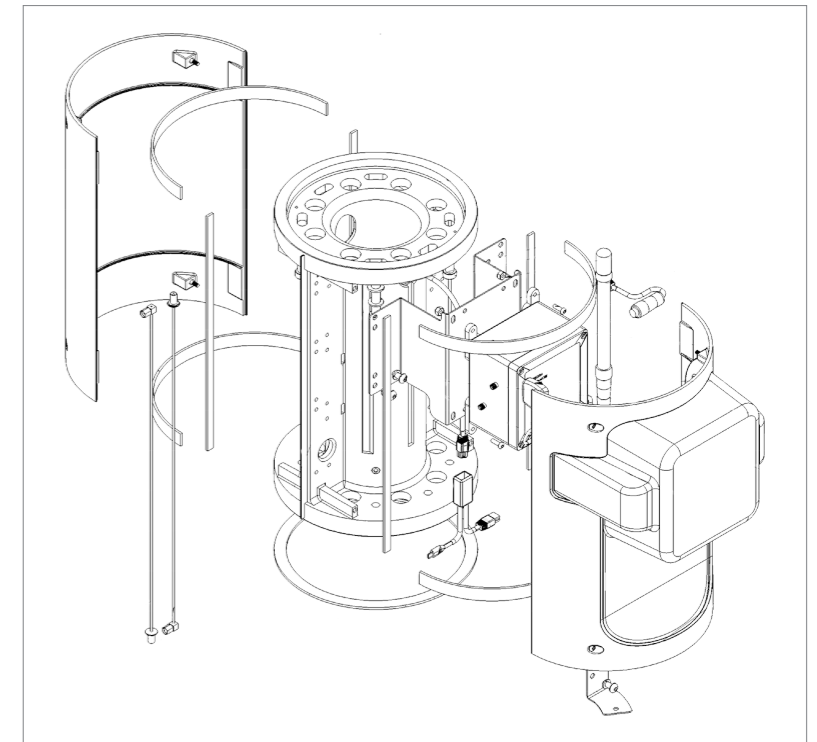
For detailed information please refer to the product specification datasheet.



AIR QUALITY MONITORING (SENSOR)
SIDE VIEW



AIR QUALITY MONITORING (SENSOR)
FRONT VIEW



AIR QUALITY MONITORING (SENSOR) EXPLODED VIEW

Air Quality Monitoring Access Points Currently Accommodated by SMART.NODE™			
The Waspnote units allow for the connectivity and communication of environmental sensors between the physical world and the CMS platform. Furthermore, allowing for the integration of additional sensors during and after erection.			
Brand	Model	Specifications Summary	
Libelium	Waspnote Smart City Pro	Pwr Consumption	3.3vDC @ 400mA PoE+ (802.3at)
		Output	Data Sensors
		Dimensions	124(L) x 124(H) x 85(D)
		Communication	802.15.4, 868 MHz, 900 MHz, Wi-Fi, 4G, Sigfox and LoRaWAN
STILL IN CMS INTEGRATION			

THE TECHNOLOGY ACCOMMODATED BY THE SMART.NODE™ IS CONTINUOUSLY EVOLVING. ENE.HUB CAN INVESTIGATE THE ACCOMMODATION OF ADDITIONAL SMART CITY SERVICE DEVICES.