



ROYAL BOTANIC GARDEN, SYDNEY



### 3.5.1 CCTV Static (Single Sided)

#### Purpose

The SMART.NODE™ can readily integrate fixed CCTV domes for outdoor use. Current models offer HDTV 1080p video, varifocal lens with remote zoom and focus, and eliminate the need for hands-on fine tuning.

Existing CCTV units adapt to scenes with strong variations in light, and produce sharp images of moving objects and two-way audio with audio analytics. New technologies significantly reduce bandwidth and storage requirements.

#### Equipment List

Devices used to collect CCTV static data are as follows:

- Axis P3225 LVE MkII
- Axis Q6055

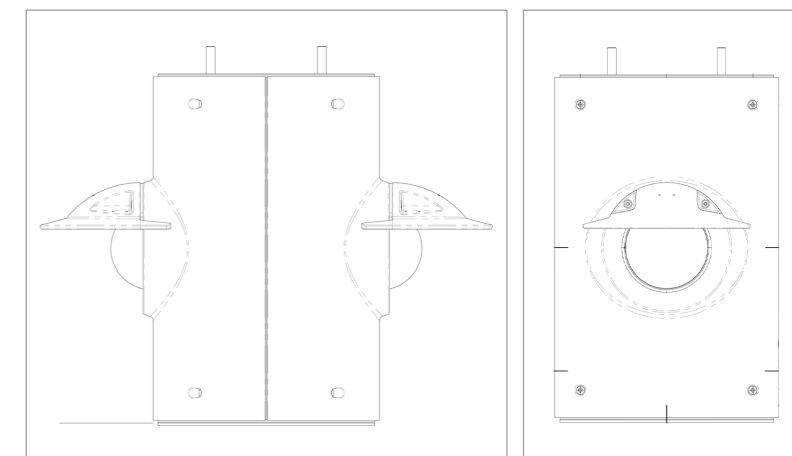
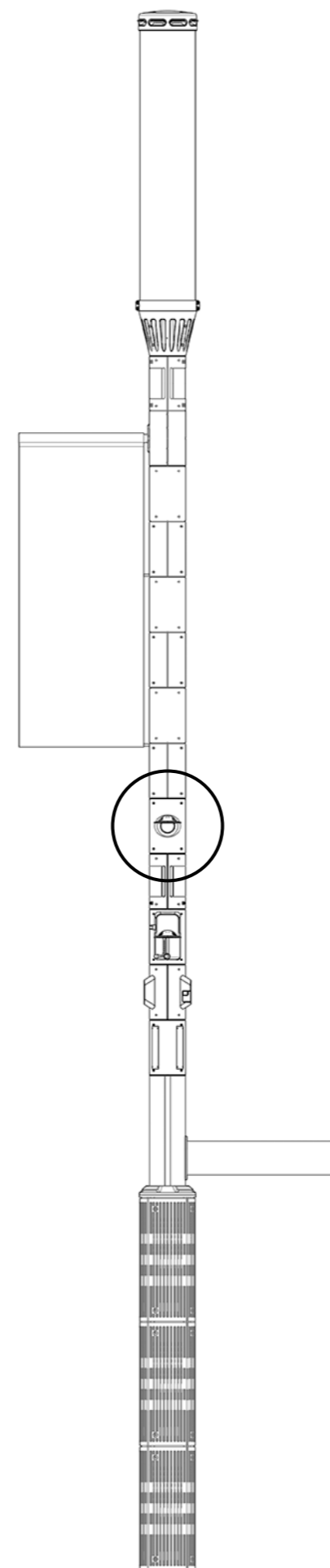
#### Control System

CCTV static data is visualised, controlled and analysed through the e<sup>3</sup> CMS platform.

#### Performance Data

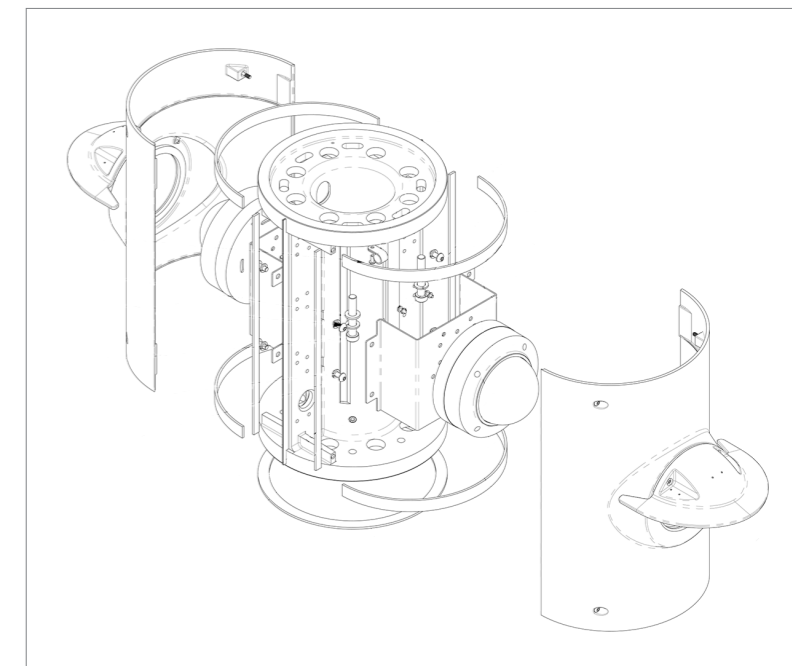
For detailed information please refer to the product specification datasheet.

- Number of people passing daily in a street
- Difference between residences and visits
- Walking routes of people and average time in each area
- Detects pedestrian through Bluetooth and Wi-Fi
- Detects pedestrian using iPhone and Android phones



CCTV STATIC  
SIDE VIEW

CCTV STATIC  
FRONT VIEW



CCTV STATIC EXPLODED VIEW

CCTV Static Access Points Currently Accommodated by SMART.NODE™			
The CCTV static camera allow for the installation of a wider range and variety of camera. It is a flush mounted device which is housed internally within the Smart.Node™ and has the added feature of a sun and bird visor to minimise camera distortion.			
Brand	Model	Specifications Summary	
Axis Commu- nications	Axis P3225- LVE MkII Net- work Camera	Pwr Consumption	37-57V DC / 10.8 watts
		Output	720p, 1080p, 5Mb, 4K
		Dimensions	104 (D) x 149 (R)
		Communication	PoE+ (802.3af/802.3at)
<b>STILL IN CMS INTEGRATION</b>			

THE TECHNOLOGY ACCOMMODATED BY THE SMART.NODE™ IS CONTINUOUSLY EVOLVING. ENE.HUB CAN INVESTIGATE THE ACCOMMODATION OF ADDITIONAL SMART CITY SERVICE DEVICES.