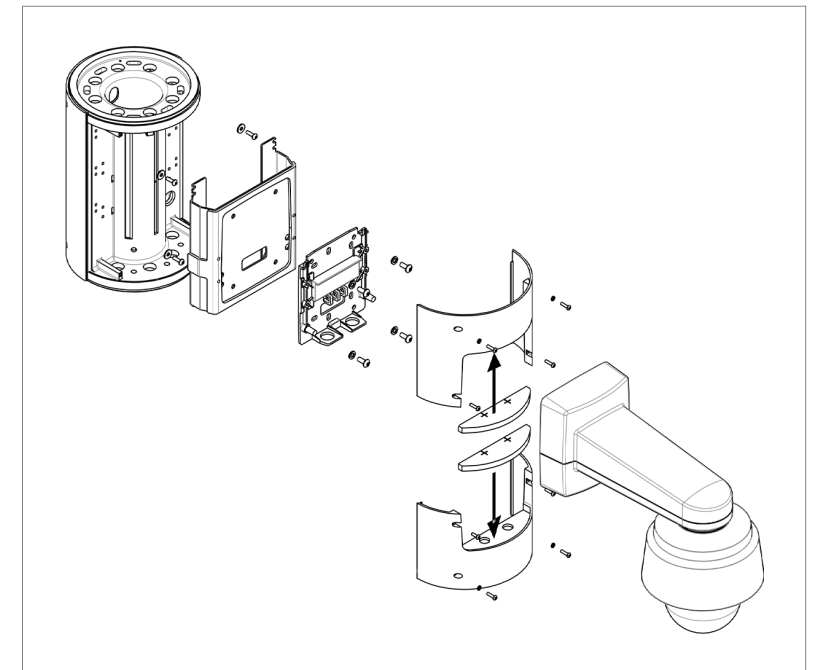


PTZ CAMERA (SINGLE SIDED)
ASSEMBLED VIEW



PTZ CAMERA (SINGLE SIDED)
EXPLODED VIEW



3.5.2 PTZ Camera (Single Sided)

Purpose

The SMART.NODE™ accommodates top-of-the-line, outdoor-ready CCTV services with HDTV 1080p, 32x optical zoom and rapid pan/tilt capabilities for wide area coverage and detailed surveillance at a distance.

Thanks to high light sensitivity and day/night functionality, high image quality is ensured even in low-light conditions. At the same time, new technologies reduce bandwidth and storage requirements.

With shock detection, automatic defog and built-in video analytics- including compensation, object removal, enter/exit detection and auto-tracking, this PTZ is well suited to a range of outdoor environments.

Equipment List

ENE-HUB have the unique ability to be able to offer clients a range of digital cameras with a variety of attributes:

- Static and PTZ (Pan / Tilt / Zoom)
- Flush Mount and Outreach Arm Slung (Inverted Snow Globe)
- 720p to 4k resolution capacity
- Internal memory capacity

- Electronic 'pinch' zoom
- Mechanical zoom from 6x to 40x
- Range of video compression ratios and file type
- On board video analytics
- High level of water, dust and vandal protection
- Wide operating temperature range
- Variety of dome covers

Control System

PTZ camera data is visualised, controlled and analysed through the e³ CMS platform.

Performance Data

For detailed information please refer to the product specification datasheet.

- Number of people passing daily in a street
- Difference between residences and visits
- Walking routes of people and average time in each area
- Detects pedestrian through Bluetooth and Wi-Fi
- Detects pedestrian using iPhone and Android phones

PTZ Camera Access Points Currently Accommodated by SMART.NODE™

The PTZ camera has similar characteristics to that of the CCTV Static camera, with the added feature of mechanical optical zoom of up to 32 times. The unit is a hung device allowing for the device to be able to have a wider view of the Smart.Node™.

Brand	Model	Specifications Summary	
Axis Commu- nications	Axis Q6055- E PTZ Dome Net- work Camera	Pwr Consumption	37-57V DC / 60 watts
		Output	1080p Resolution
		Dimensions	280 (D) x 232(R)
		Communication	PoE++ 802.3bt
STILL IN CMS INTEGRATION			

THE TECHNOLOGY ACCOMMODATED BY THE SMART.NODE™ IS CONTINUOUSLY EVOLVING. ENE.HUB CAN INVESTIGATE THE ACCOMMODATION OF ADDITIONAL SMART CITY SERVICE DEVICES.