



ROYAL BOTANIC GARDEN, SYDNEY



### 3.4.2 Pedestrian, Bicycle & Scooter Counting

#### Purpose

The SMART.NODE™ Pedestrian, Bicycle and Scooter Counting service is a modular unit installed to capture the movement of pedestrians in a range of public spaces.

Where a CCTV is installed with a clear view of people traffic, authorities can use this service for people counting, the detection of loitering and even the identification of unclaimed objects.

Reports produced from the pedestrian, bicycle and scooter counting service are made available on the e<sup>3</sup> in graphical, text and/or Comma Separated Value (CSV) formats for import into spreadsheets. Counts for an area can also be graphed for different time periods to allow for comparative assessment.

#### Equipment List

Device used to collect pedestrian, bicycle and scooter counting data is as follows:

- Meshlium Gateway

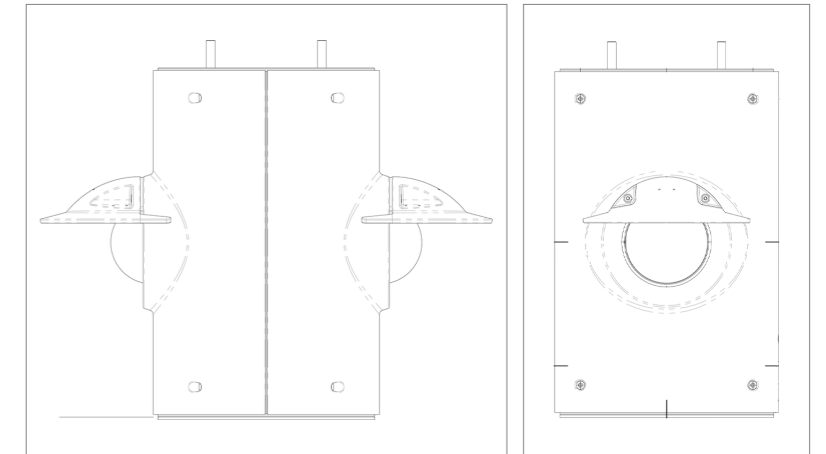
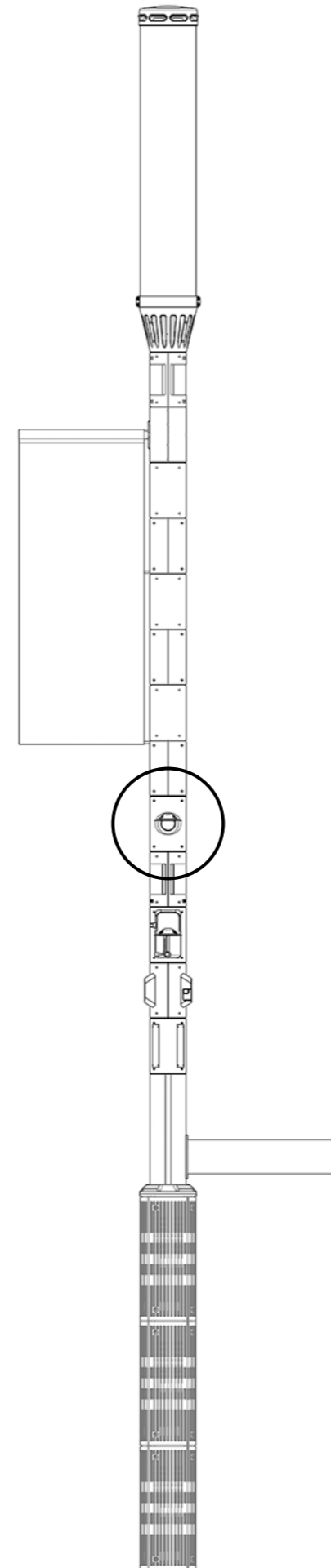
#### Control System

Pedestrian, bicycle and scooter counting data is visualised, controlled and analysed through the e<sup>3</sup> CMS platform.

#### Performance Data

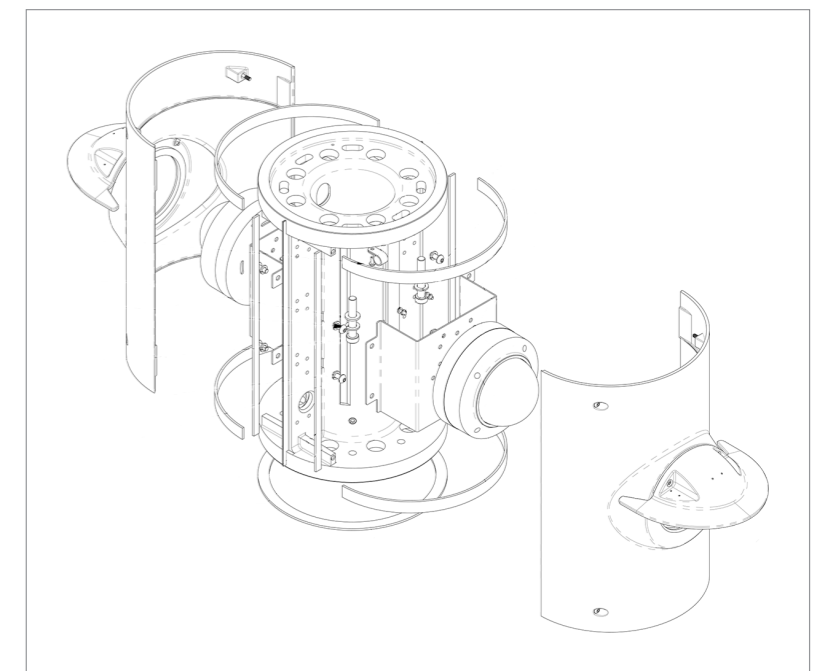
For detailed information please refer to the product specification datasheet.

- Number of people passing daily in a street
- Difference between residences and visits
- Walking routes of people and average time in each area
- Detects pedestrian through Bluetooth and Wi-Fi
- Detects pedestrian using iPhone and Android phones



PEDESTRIAN, BICYCLE & SCOOTER COUNTING SIDE VIEW

PEDESTRIAN, BICYCLE & SCOOTER COUNTING FRONT VIEW



PEDESTRIAN, BICYCLE & SCOOTER COUNTING EXPLODED VIEW

#### Pedestrian, Bicycle & Scooter Counting Access Points Currently Accommodated by SMART.NODE™

The IntuVision® software local or remotely allows for the interrogation of capture video images to be able to record and translate movement of different device and then transmit the quantified information in a numerical value to be shown in the CMS platform.

Brand	Model	Specifications Summary	
IntuVision®	People counting	Software	IntuVision® VA - Traffic
		Output	Activity Direction Pedestrian, Scooter or Bicycle Counting Pedestrian Dwell time (loitering)
		Communication	HTTPS Digest or Email CSV
		Hardware Req	Standalone on Intel NUC™ or on Video Analytics 1 - 2 RU Server

THE TECHNOLOGY ACCOMMODATED BY THE SMART.NODE™ IS CONTINUOUSLY EVOLVING. ENE.HUB CAN INVESTIGATE THE ACCOMMODATION OF ADDITIONAL SMART CITY SERVICE DEVICES.