



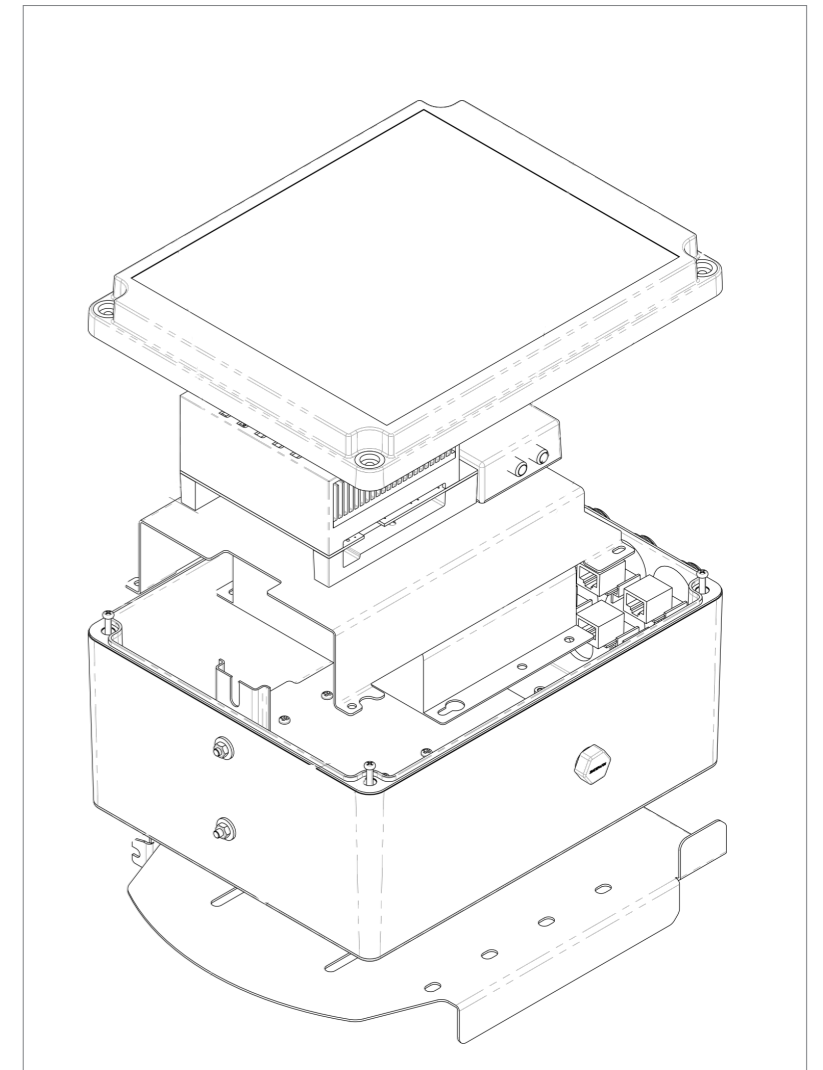
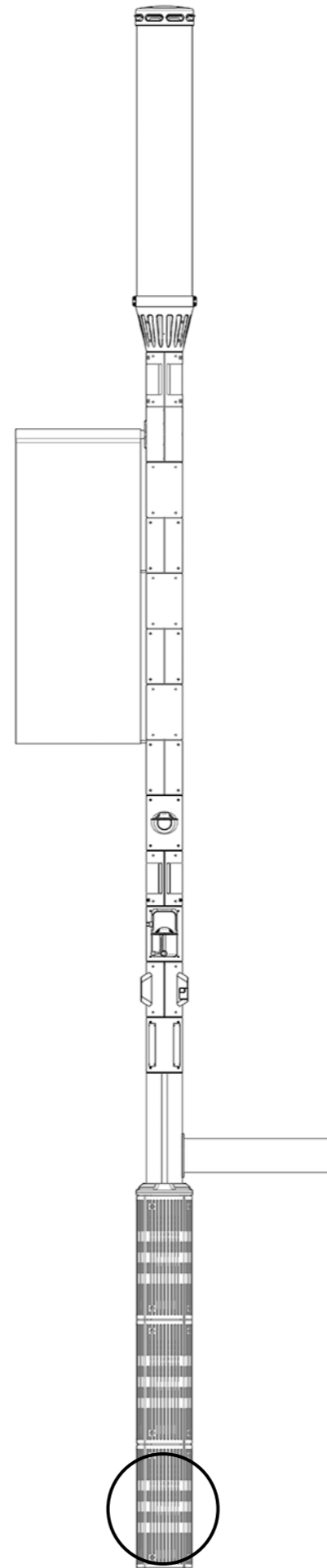
CANADA BAY, SYDNEY



3.1.6 Industrial PC

Purpose

The embedded PC is a computer which allows ENE-HUB to communicate and operate the SMART.NODE™ and undertake analytics direct from the site, without optical fibre infrastructure.



INDUSTRIAL PC EXPLODED VIEW

Industrial PC Currently Accommodated by SMART.NODE™			
The embedded PC is a computer which allow ENE-HUB to communicate and operate the SMART.NODE™ and undertake analytics direct from the site.			
Brand	Model	Specifications Summary	
Intel	NUC	Pwr Consumption	120 W
		Output	Depends on PC Analytics requirements
		Dimensions	115mm (L) x 111mm (W) x 51.6mm (D)
		Communication	Ethernet connectivity

THE TECHNOLOGY ACCOMMODATED BY THE SMART.NODE™ IS CONTINUOUSLY EVOLVING. ENE.HUB CAN INVESTIGATE THE ACCOMMODATION OF ADDITIONAL SMART CITY SERVICE DEVICES.