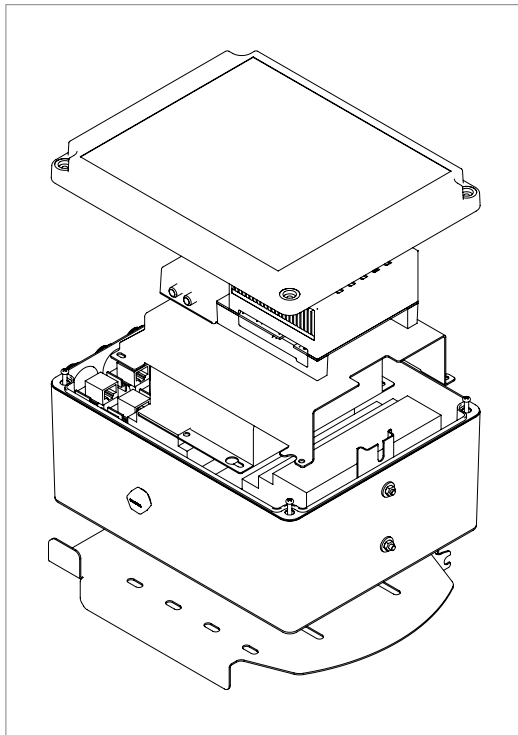
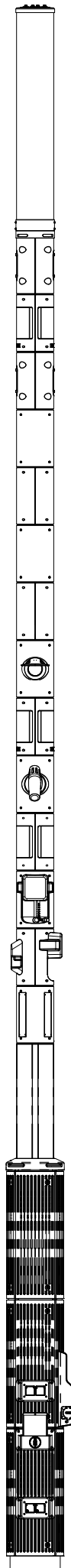




RENDER



LORAWAN GATEWAY TRAY 4, EXPLODED VIEW



## LoRaWAN Gateway

COMMUNICATIONS

LoRaWAN is a Long Range Wide Area Network protocol designed to wirelessly connect low-powered devices to internet applications over long range wireless connections of up to 20 kilometres. LoRaWAN operates on the unlicensed radio spectrum, eliminating the payment of fees for transmission rights.

LoRaWAN allows for multiple devices to communicate back to the SMART.NODE™ and uses the optical fibre high speed network to then push this information to the e<sup>3</sup> platform. A network of SMART.NODEs™ is required to deliver LoRaWAN gateways via the ethernet cable infrastructure, which are monitored by a number of communication protocols.

### Equipment List

Devices used for LoRaWAN Gateway are as follows:

- MultiTech Gateway

**ENE.HUB**

THE TECHNOLOGY ACCOMMODATED BY THE SMART.NODE™ IS CONTINUOUSLY EVOLVING. ENE.HUB CAN INVESTIGATE THE ACCOMMODATION OF ADDITIONAL SCS DEVICES.

[www.ene-hub.com](http://www.ene-hub.com)