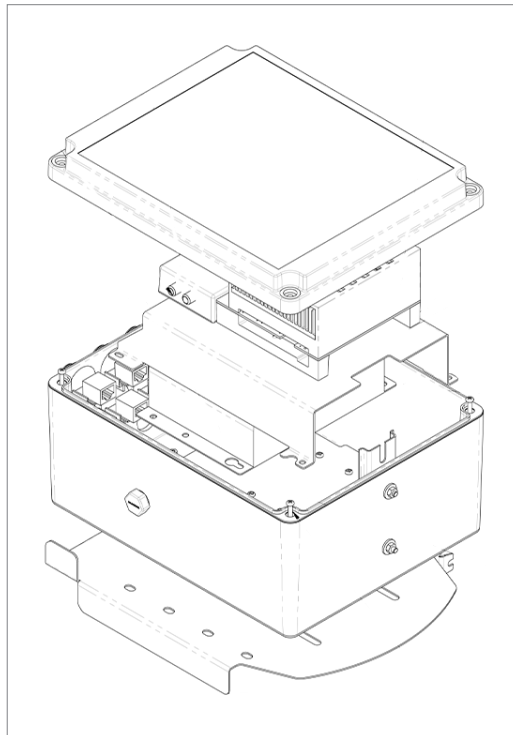
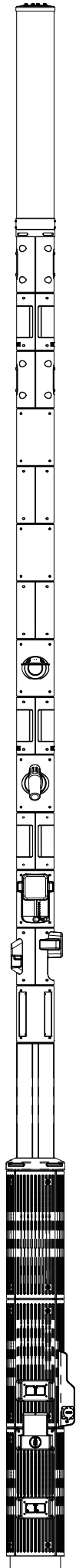




'FUTURE STREET', SYDNEY CBD



AUDIO BRIDGE, EXPLODED VIEW



Public Address System

COMMUNICATIONS

Encased in a classic design, the Public Address System SCS includes speaker hardware such as slim column speakers designed for sound reproduction in large venues, providing optimised sound dispersion and speech intelligibility.

The SMART.NODE™ can accommodate an Audio Bridge solution for connecting analogue and digital audio systems. With a scalable design, analogue audio sources can be plugged into a digital speaker system, and digital audio sources plugged into an analogue speaker system. Analogue and digital speaker systems can also be combined to act as one. The Audio Bridge is small, and easy to connect using PoE.

Equipment List

Devices used for Public Address System are as follows:

- Speaker
- Audio Bridge Axis C8053