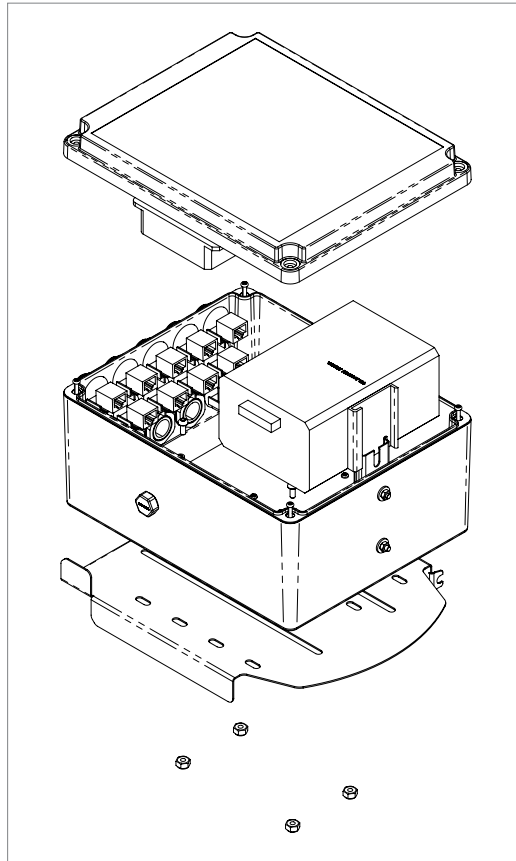




CHINATOWN, BRISBANE



POWER OVER ETHERNET, EXPLODED VIEW

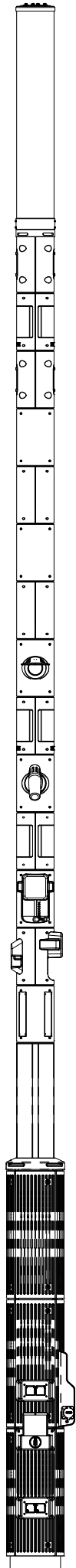


Power Over Ethernet

COMMUNICATIONS

Power Over Ethernet (PoE) is the combination of communication and low voltage power within one data cable. Used within the SMART.NODE™, this allows the client to utilise the infrastructure cabling to supply gigabit communication and power to every MTM.

PoE ensures wireless access points are activated within the SMART.NODE™, and that gigabit power and communication are supplied to every MTM.



ENE.HUB

THE TECHNOLOGY ACCOMMODATED BY THE SMART.NODE™ IS CONTINUOUSLY EVOLVING. ENE.HUB CAN INVESTIGATE THE ACCOMMODATION OF ADDITIONAL SCS DEVICES.

www.ene-hub.com