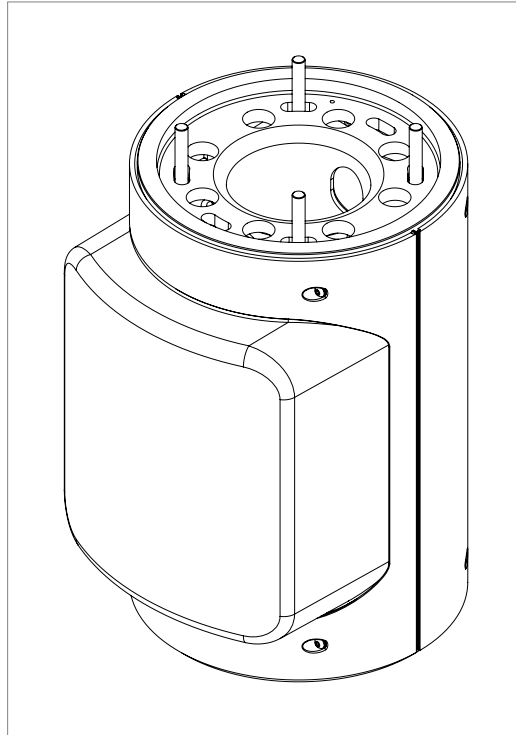
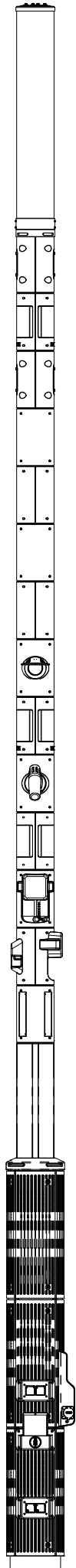




GOODWILL BRIDGE, BRISBANE



WI-FI (RUCKUS), ASSEMBLED VIEW



Wi-Fi

COMMUNICATIONS

The installation of a wireless access gateway in the Base of the SMART.NODE™ gives the general public access to connect devices remotely to the internet. This component includes the installation of the Wi-Fi Repeater and connectivity via the ethernet cabling installed.

The SMART.NODE™ hosts a dual-radio, cloud-managed access point designed for best-effort Wi-Fi deployment. Because the access point is managed via cloud, the Wi-Fi unit can deliver real-time alerts if networks encounter problems, while diagnostic tools enable real-time troubleshooting online. Local authorities can also set policies based on types of traffic, critical applications can be prioritised, and limits can be placed to manage recreational traffic.

Moreover, new features, enhancements and bug fixes are delivered over the web, eliminating the need for manual software updates or concern over security gaps.

Equipment List

Devices used for Public Wi-Fi are as follows:

- Cisco, Aruba, Advantech, Ruckus, NetGear Compliant
- 2.4 GHz/ 5 GHz & Lite GHz

ENE.HUB

THE TECHNOLOGY ACCOMMODATED BY THE SMART.NODE™ IS CONTINUOUSLY EVOLVING. ENE.HUB CAN INVESTIGATE THE ACCOMMODATION OF ADDITIONAL SCS DEVICES.

www.ene-hub.com