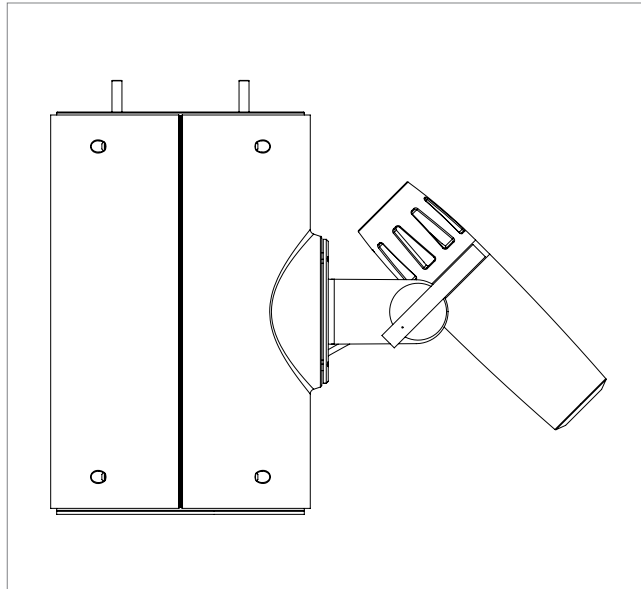
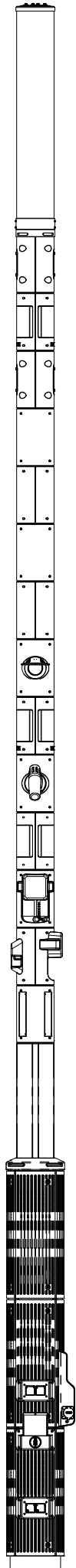




GOODWILL BRIDGE, BRISBANE



CREATIVE LIGHTING, SIDE VIEW



## Creative Lighting

ENERGY

The Creative Lighting SCS utilises a Go Between Optics (GoBo) which is a stencil or template that alters the shape of emitted light. This allows clients to project a defined light graphical display on to a hard surface. GoBos are increasingly being used in the public space to serve a creative purpose as an alternative, or complement, to banners and signage.

The SMART.NODE™ can accommodate moveable fixtures for year-round outdoor use to suit a range of creative and communicative lighting purposes in the public space. GoBo motifs can be changed without the need for tools.

### Equipment List

Devices used for Creative Lighting are as follows:

- PHOS

**ENE.HUB**

THE TECHNOLOGY ACCOMMODATED BY THE SMART.NODE™ IS CONTINUOUSLY EVOLVING. ENE.HUB CAN INVESTIGATE THE ACCOMMODATION OF ADDITIONAL SCS DEVICES.

[www.ene-hub.com](http://www.ene-hub.com)