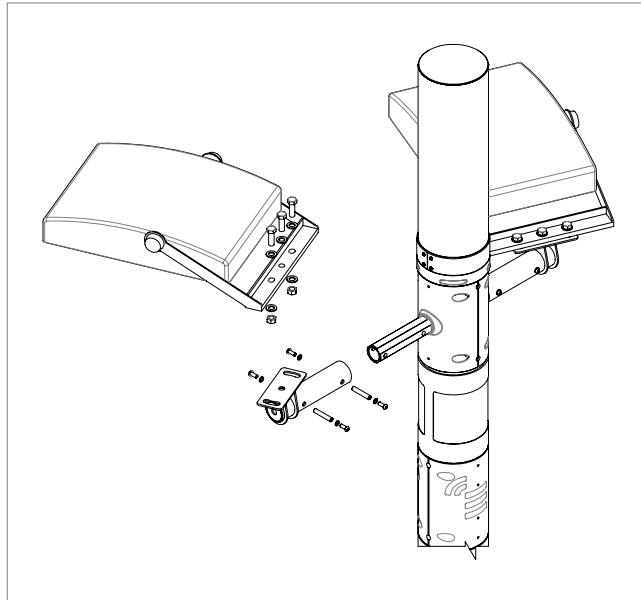
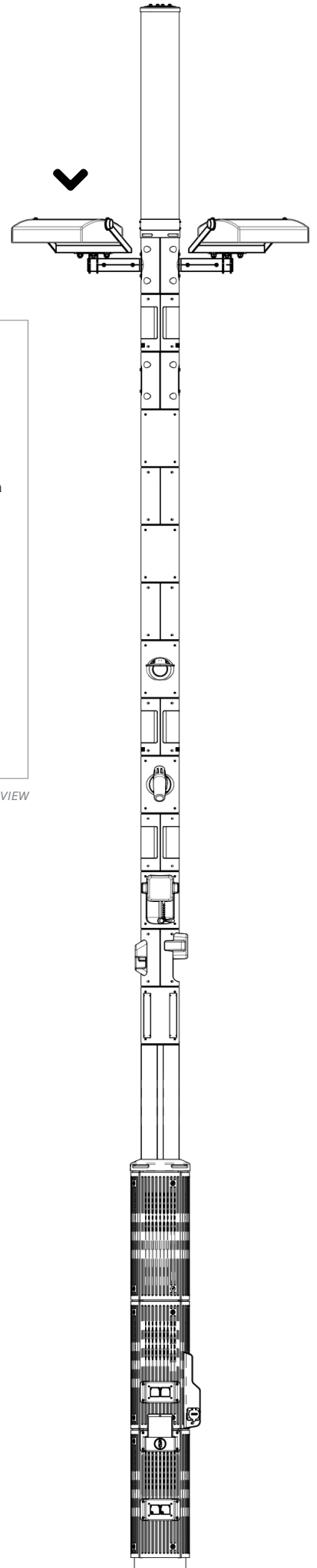




GEELONG FORESHORE



FLOODLIGHT, EXPLODED VIEW



Floodlight

ENERGY

The Floodlight SCS is a general purpose, high-intensity light with a broad beam that is attached externally to the SMART.NODE™ primary structure. The SMART.NODE™ can host a range of flood lighting fittings, including those used for landscape, architectural or security lighting, or as a specific lighting instrument during public events.

The current Floodlight fittings operate on standard Australian mains voltage and require zero lamp maintenance.

Equipment List

Devices used for Floodlight (LED) are as follows:

- Smart lighting controller
- Power Linc
- LoRaWAN
- Sigfox

ENE.HUB

THE TECHNOLOGY ACCOMMODATED BY THE SMART.NODE™ IS CONTINUOUSLY EVOLVING. ENE.HUB CAN INVESTIGATE THE ACCOMMODATION OF ADDITIONAL SCS DEVICES.

www.ene-hub.com