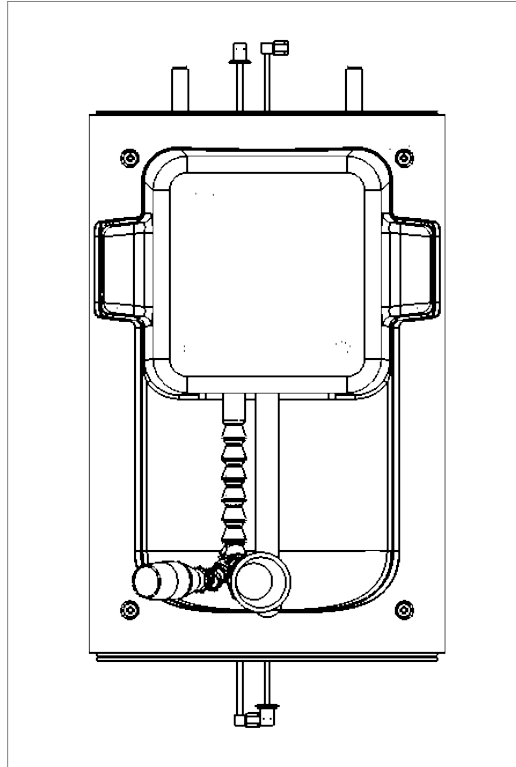




RENDER



CLIMATE, FRONT VIEW



Climate

ENVIRONMENT

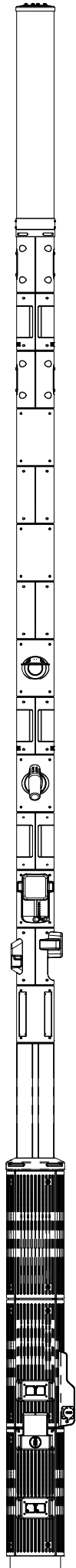
Climate factors have a major impact on the health and well-being of communities. Measuring various climate factors in public spaces enables authorities to proactively encourage positive outcomes. The Climate SCS offers durable, impact-resistant and low-maintenance sensors.

As well measuring temperature, humidity, and pressure, SMART.NODEs™ can host luminosity sensors which assist in adopting smart lighting strategies, a key Smart City application. Land Authorities can save money and energy by dimming lights during quiet traffic hours, while enhancing security by lighting dark areas when movement is detected. Current models can measure precise light intensity information ranging from 0.1 to 40,000 lux, and directional sensors can be easily adjusted for best results.

Equipment List

Device used for Climate are as follows:

- BME280 Sensor
- Libelium Smart City Pro Waspote



ENE.HUB

THE TECHNOLOGY ACCOMMODATED BY THE SMART.NODE™ IS CONTINUOUSLY EVOLVING. ENE.HUB CAN INVESTIGATE THE ACCOMMODATION OF ADDITIONAL SCS DEVICES.

www.ene-hub.com