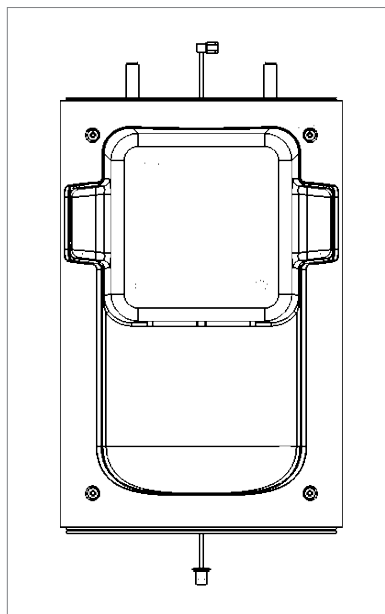
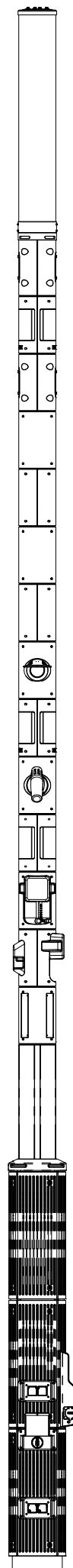




GOODWILL BRIDGE, BRISBANE



ENVIRONMENTAL NOISE, FRONT VIEW



Environmental Noise

ENVIRONMENT

Amid the range of environmental pollutants faced by the public, urban noise is the most widely recognised for its contribution to several health-related issues. For many years, expensive monitoring equipment, a scarcity of appropriate technicians and an under-appreciation of the risks posed by urban noise meant that no known municipality undertook systematic noise management procedures. Smart City advances, however, offer new opportunities to improve the experience of the public in this space.

The SMART.NODE™ can host a range of sensors that monitor noise from road traffic, nightlife and other outdoor activities. For reference, sound pressure is measured in decibels (dB). Refrigerators typically run at around 40dB, while heavy traffic typically reaches 90dB. The human threshold of discomfort is measured at 120dB.

Equipment List

Devices used for Environmental Noise are as follows:

- Libelium NLS
- Libelium Waspmote Smart City Pro

ENE.HUB

THE TECHNOLOGY ACCOMMODATED BY THE SMART.NODE™ IS CONTINUOUSLY EVOLVING. ENE.HUB CAN INVESTIGATE THE ACCOMMODATION OF ADDITIONAL SCS DEVICES.

www.ene-hub.com