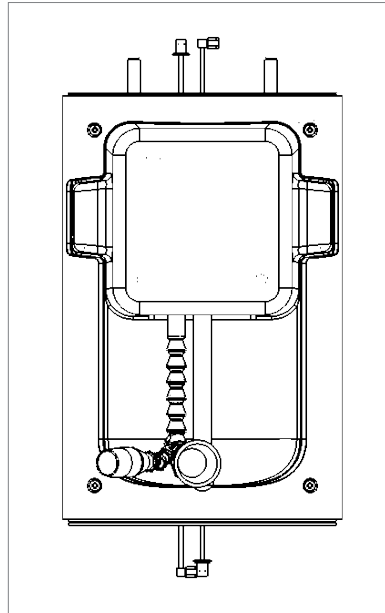
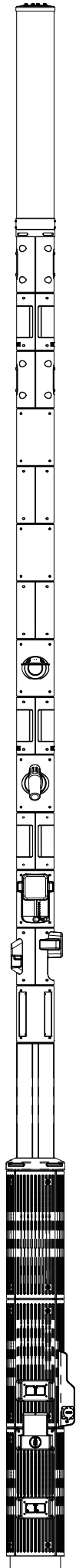


RENDER



ENVIRONMENTAL NOISE, FRONT VIEW



Ultrasonic Detection

ENVIRONMENT

The SMART.NODE™ can host sensors that measure the distance to an object using ultrasonic sound waves. The applications of this technology are to perform contactless, reliable, detection of the target shapes from the source point, through low density pulse waves.

Equipment List

Devices used for Ultrasonic Detection are as follows:

- MaxBotix MB7040 Sensor
- Libelium Smart City Pro Waspnode

ENE.HUB

THE TECHNOLOGY ACCOMMODATED BY THE SMART.NODE™ IS CONTINUOUSLY EVOLVING. ENE.HUB CAN INVESTIGATE THE ACCOMMODATION OF ADDITIONAL SCS DEVICES.

www.ene-hub.com