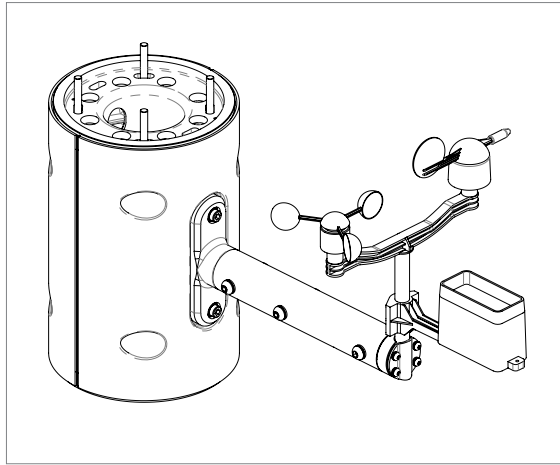
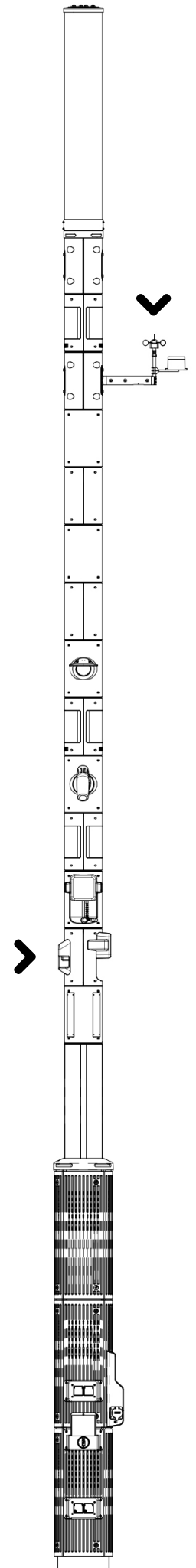




SANDGATE FORESHORE, BRISBANE



WIND & RAIN WEATHERVANE, ASSEMBLED VIEW



Wind & Rain

ENVIRONMENT

Wind and rain data is an essential consideration in planning landscaping, public events and traffic management decisions in Smart Cities.

The Wind & Rain SCS accommodates weather stations designed to accurately monitor and analyse climate data, including wind speeds and the volume of rainfall. Current weather station models include three different sensors: a weathervane, anemometer, and pluviometer.

The weathervane sensor communicates via the Waspnote and e³ platform, allowing for the remote collection of data from the wind speed, wind direction and rain fall. This data is received at a changeable interval over a 24-hour period.

Equipment List

Devices used for Wind & Rain are as follows:

- Libelium Agricultural Pro
- Libelium WS-300