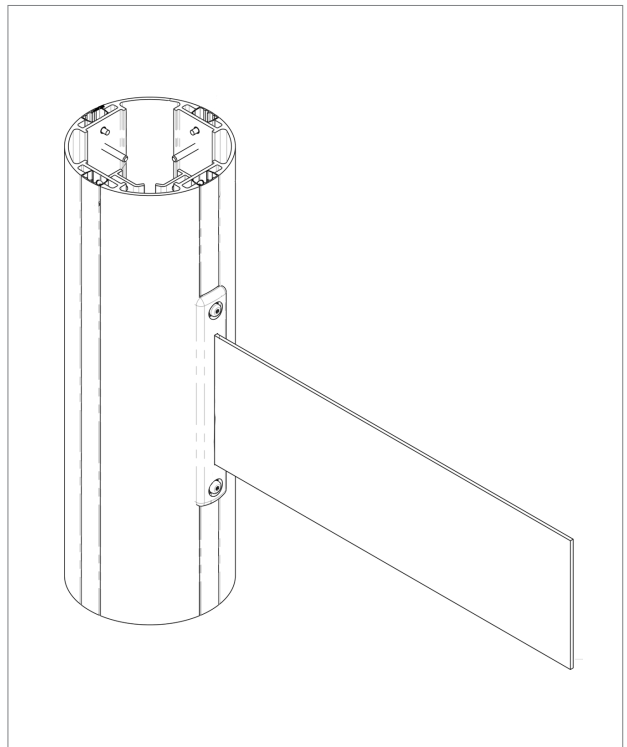


RENDER



WAYFINDING ASSEMBLED VIEW



## Wayfinding Zone

As urban spaces expand and become more sophisticated, wayfinding services are vital in guiding people through a public area while enhancing their understanding and experience of the space.

Wayfinding in Smart Cities now combines signage, maps, symbols, colours and other communications. Increasingly, these systems also integrate mobile applications, RFID, and other wireless technologies.

Thanks to its modular assembly, the SMART.NODE™ is designed to accommodate the evolving wayfinding needs of a Smart City.

**ENE.HUB**

THE TECHNOLOGY ACCOMMODATED BY THE SMART.NODE™ IS CONTINUOUSLY EVOLVING.  
ENE.HUB CAN INVESTIGATE THE ACCOMMODATION OF ADDITIONAL SCS DEVICES.

[www.ene-hub.com](http://www.ene-hub.com)