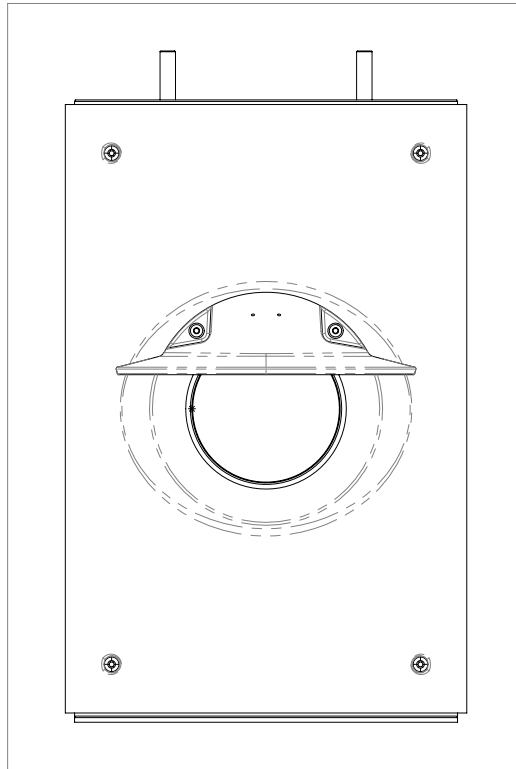
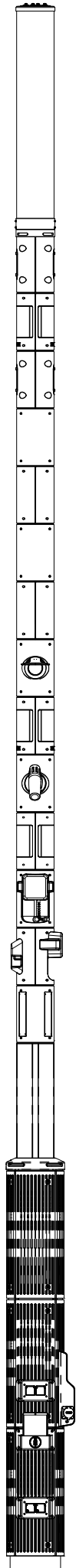




BLACKTOWN, SYDNEY



CCTV, FRONT VIEW



## CCTV

SAFETY

The SMART.NODE™ can readily integrate fixed CCTV domes for outdoor use. The current models offer HDTV 1080p video, varifocal lens with remote zoom and focus, and eliminate the need for hands-on fine tuning.

The CCTV SCS allows for the installation of a wider range and variety of cameras. It is a flush mounted device housed internally in the SMART.NODE™ and has the added feature of a sun and bird visor to minimise camera distortion.

Existing CCTV units adapt to scenes with strong variations in light, produce sharp images of moving objects and have two-way audio with analytics. New technologies see reduced bandwidth and CCTV storage requirements.

### Equipment List

Devices used for CCTV are as follows:

- Axis P3225 LVE MkII
- Axis Q6055

**ENE.HUB**

THE TECHNOLOGY ACCOMMODATED BY THE SMART.NODE™ IS CONTINUOUSLY EVOLVING. ENE.HUB CAN INVESTIGATE THE ACCOMMODATION OF ADDITIONAL SCS DEVICES.

[www.ene-hub.com](http://www.ene-hub.com)