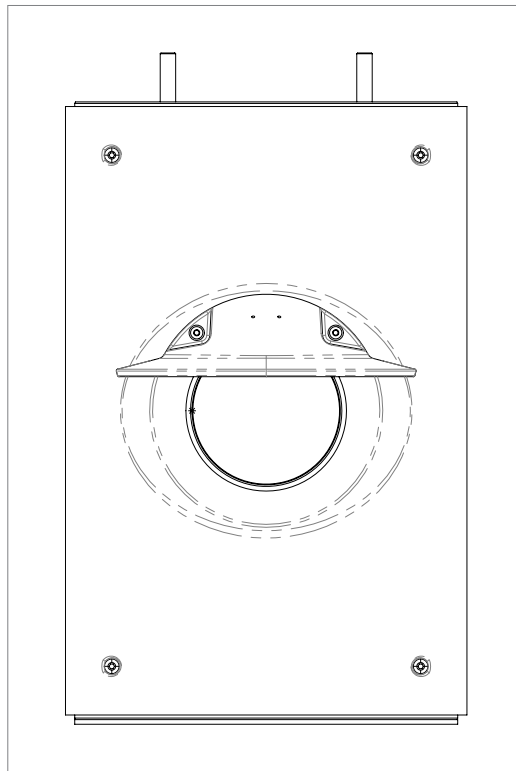
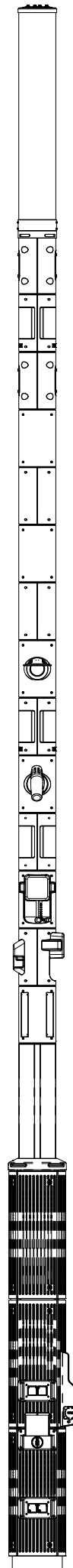




ROYAL BOTANIC GARDEN, SYDNEY



PEDESTRIAN/BICYCLE/SCOOTER/VEHICLE COUNTING, FRONT VIEW



Pedestrian Counting

TRANSPORT

If CCTV has been installed in a SMART.NODE™ and the cameras have a clear view of the desired pathways, Councils can utilise this service for Pedestrian Counting. This can be used for the detection of loitering and even the identification of unclaimed objects.

The IntuVision® software local or remotely allows for the interrogation of capture video images to be able to record and translate movement of different device and then transmit the quantified information in a numerical value to be shown in the e³ platform. The counting data for an area can be provided for different time periods to allow for comparative assessments and more in-depth findings.

Equipment List

Devices used for Pedestrian Counting are as follows:

- Meshlium Gateway