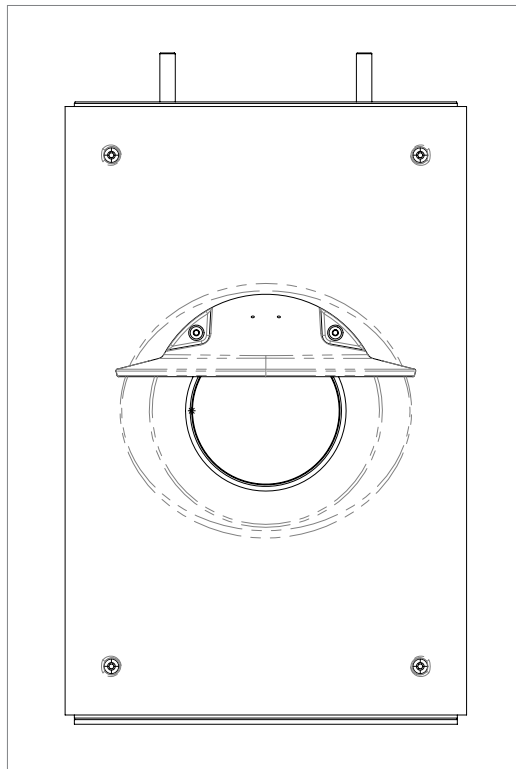
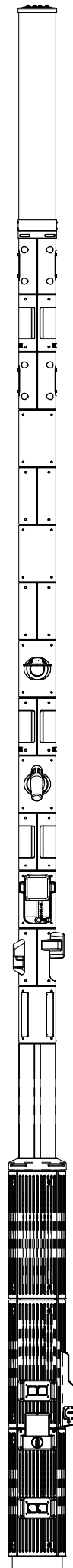




HOWARD SMITH WHARVES, BRISBANE



PEDESTRIAN/BICYCLE/SCOOTER/VEHICLE COUNTING, FRONT VIEW



## Scooter Counting

TRANSPORT

If CCTV has been installed in a SMART.NODE™ and the cameras have a clear view of the desired pathways, Councils can utilise this service for Scooter Counting.

The IntuVision® software local or remotely allows for the interrogation of capture video images to be able to record and translate movement of different device and then transmit the quantified information in a numerical value to be shown in the e<sup>3</sup> platform. The counting data for an area can be provided for different time periods to allow for comparative assessments and more in-depth findings.

### Equipment List

Devices used for Scooter Counting are as follows:

- Meshlium Gateway

**ENE.HUB**

THE TECHNOLOGY ACCOMMODATED BY THE SMART.NODE™ IS CONTINUOUSLY EVOLVING. ENE.HUB CAN INVESTIGATE THE ACCOMMODATION OF ADDITIONAL SCS DEVICES.

www.ene-hub.com