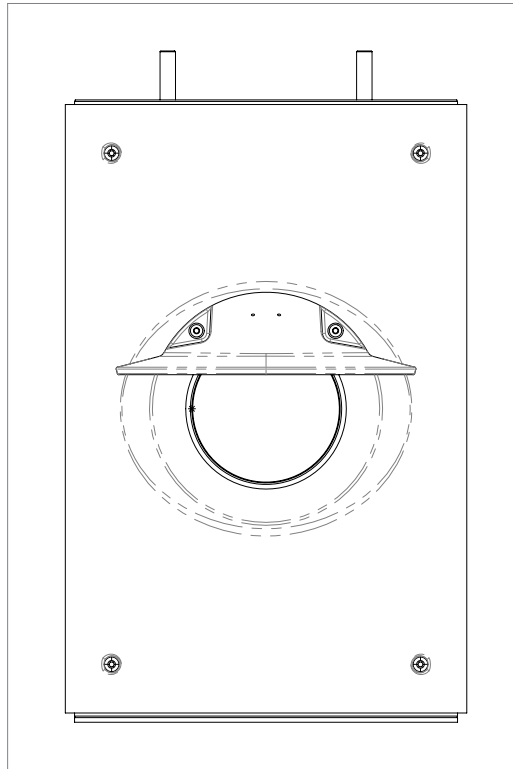
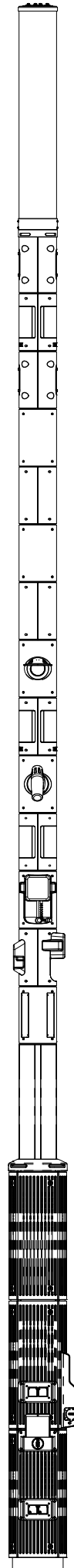




'FUTURE STREET', SYDNEY CBD



PEDESTRIAN/BICYCLE/SCOOTER/VEHICLE COUNTING, FRONT VIEW



## Vehicle Counting

TRANSPORT

If CCTV has been installed in a SMART.NODE™ and the cameras have a clear view of road traffic, Councils can utilise this service for Vehicle Counting. This information can help improve the overall driving experience in cities and understand infrastructure needs.

The IntuVision® software local or remotely allows for the interrogation of capture video images to be able to record and translate movement of different device and then transmit the quantified information in a numerical value to be shown in the e<sup>3</sup> platform. The counting data for an area can be provided for different time periods to allow for comparative assessments and more in-depth findings.

### Equipment List

Devices used for Vehicle Counting are as follows:

- Meshlium
- Sensys
- Golden River