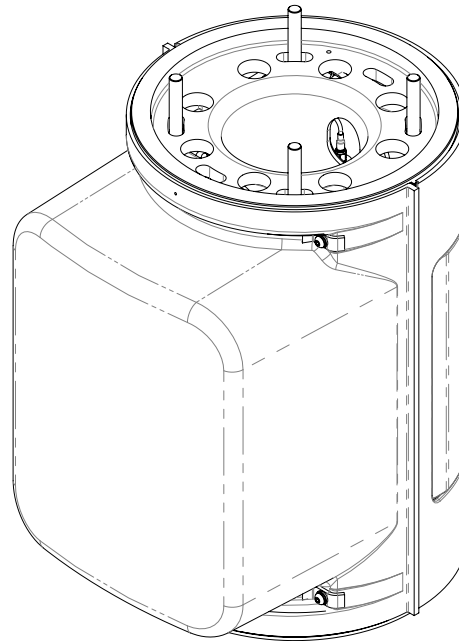




RENDER



PICTORIAL VIEW



LoRaWAN Gateway

COMMUNICATIONS

LoRaWAN is a Long Range Wide Area Network protocol designed to wirelessly connect low-powered devices to internet applications over long range wireless connections of up to 20 kilometres. LoRaWAN operates on the unlicensed radio spectrum, eliminating the payment of fees for transmission rights.

LoRaWAN allows for multiple devices to communicate back to the SMART.NODE™ and uses the optical fibre high speed network to then push this information to the e3 platform.

Product Options

LoRaWAN Gateway (RAK 7249 - Wisgate Edge Max)

COM-GAT-LOR-65-002A

LoRaWAN Gateway (Multitech Conduit)

COM-GAT-LOR-00-001A

Product Dependencies

SN Accessory for LoRaWAN Gateway (Multitech Conduit)

COM-GAT-LOR-00-001A-SN

