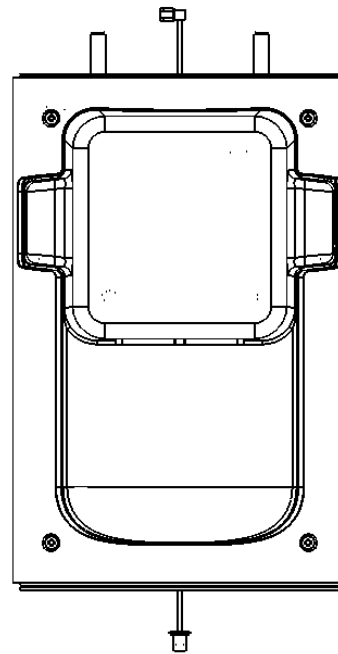
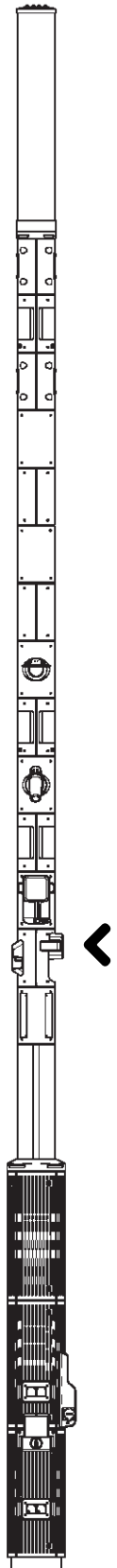


RENDER



FRONT VIEW



Noise Sensor

ENVIRONMENT

Amid the range of environmental pollutants faced by the public, urban noise is the most widely recognised for its contribution to several health-related issues. For many years, expensive monitoring equipment, a scarcity of appropriate technicians and an under-appreciation of the risks posed by urban noise meant that no known municipality undertook systematic noise management procedures. Smart City advances, however, offer new opportunities to improve the experience of the public in this space.

The SMART.NODE™ can host a range of sensors that monitor noise from road traffic, nightlife and other outdoor activities. For reference, sound pressure is measured in decibels (dB).

Product Options

Libelium Noise Level Sensor (dB, LEQA)

ENV-SEN-NOI-65-001A

Product Dependencies

SN Accessory for Libelium Noise Level Sensor (dB, LEQA)

ENV-SEN-NOI-65-001A-SN

Libelium Smart City Pro Gateway

ENV-SEN-GAT-65-001A