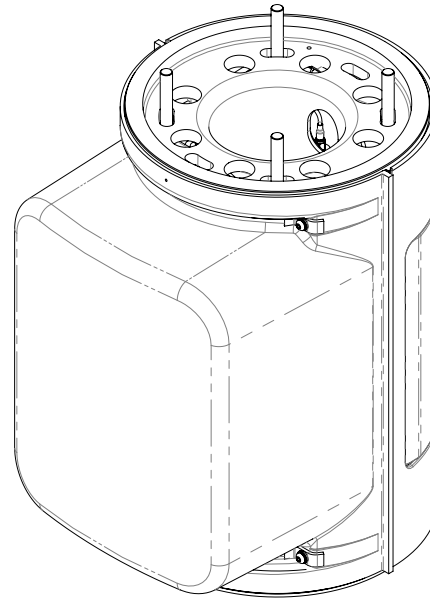




RENDER



WI-FI (CISCO), ASSEMBLED VIEW



Wi-Fi

COMMUNICATIONS

The SMART.NODE™ can become a key enabler for bridging the digital divide, by incorporating Public WiFi network equipment within its innovative Multi Technology Module.

The SMART.NODE™ hosts a dual-radio, cloud- managed access point designed for best-effort Wi-Fi deployment. Because the access point is managed via cloud, the Wi-Fi unit can deliver real-time alerts if networks encounter problems, while diagnostic tools enable real-time troubleshooting online. Local authorities can also set policies based on types of traffic, critical applications can be prioritised, and limits can be placed to manage recreational traffic.

Moreover, new features, enhancements and bug fixes are delivered over the web, eliminating the need for manual software updates or concern over security gaps.

Product Options

Private/Corporate Wi-Fi (Provided by Superloop)

Public Wi-Fi (Provided by Superloop)

Wi-Fi Access Point (Cisco Meraki MR76)

COM-WIF-000-00-001A

COM-WIF-000-00-002A

COM-WIF-CIS-65-001A