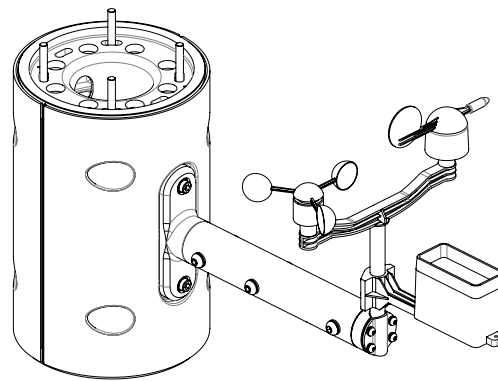
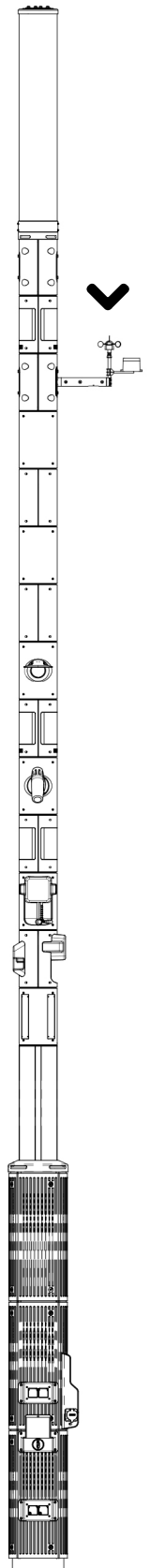




SANDGATE FORESHORE, BRISBANE



WIND & RAIN WEATHERVANE, ASSEMBLED VIEW



Wind and Rain Sensor

ENVIRONMENT

Wind and rain data is an essential consideration in planning landscaping, public events and traffic management decisions in Smart Cities.

The Wind & Rain accommodates weather stations designed to accurately monitor and analyse climate data, including wind speeds and the volume of rainfall. Current weather station models include three different sensors: a weathervane, anemometer, and pluviometer.

Product Options

Libelium Wind and Rain Sensor

ENV-SEN-WIP-65-001A

Product Dependencies

SN Accessory for Libelium Wind and Rain Sensor

ENV-SEN-WIP-65-001A-SN

Libelium Smart Agriculture Gateway

ENV-SEN-GAT-65-002A