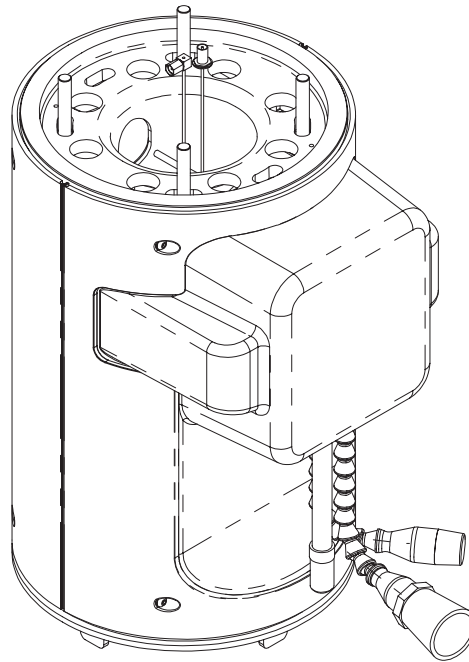
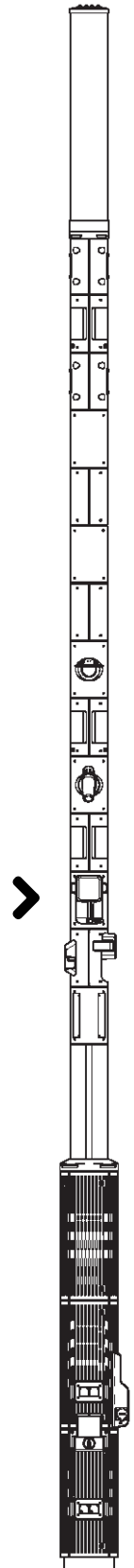


RENDER



PICTORIAL VIEW



## Climate Sensor

ENVIRONMENT

Climate factors have a major impact on the health and well-being of communities. Measuring various climate factors in public spaces enables authorities to proactively encourage positive outcomes. The Climate offers durable, impact-resistant and low-maintenance sensors.

As well measuring temperature, humidity, and pressure, SMART.NODEs™ can host luminosity sensors which assist in adopting smart lighting strategies, a key Smart City application. Land Authorities can save money and energy by dimming lights during quiet traffic hours, while enhancing security by lighting dark areas when movement is detected. Current models can measure precise light intensity information ranging from 0.1 to 40,000 lux, and directional sensors can be easily adjusted for best results.

### Product Options

- Libelium Smart City Pro Gateway
- Libelium Smart City Pro Gateway (with Temp/Humidity/Pressure/Lux)
- Libelium Smart Agriculture Gateway
- Libelium Smart Agriculture Extreme Gateway
- Libelium GMX541 Including Temp/RH/Pressure, Rain, Wind speed & direction, Solar radiation

- ENV-SEN-GAT-65-001A
- ENV-SEN-CLI-65-001A
- ENV-SEN-GAT-65-002A
- ENV-SEN-GAT-65-003A
- ENV-SEN-CLI-65-002A

### Product Dependencies

- Accessory for Libelium Smart City Pro Gateway
- Accessory for Libelium Smart City Pro Gateway (with Temp/Humidity/Pressure/Lux)
- Accessory for Libelium Smart Agriculture Gateway

- ENV-SEN-GAT-65-001A-SN
- ENV-SEN-CLI-65-001A-SN
- ENV-SEN-GAT-65-002A-SN

*Specifically for the Libelium Smart City Pro Gateway & Agriculture Extreme:*

- LoRaWAN Gateway RAK7289 WisGate Edge Pro

- COM-GAT-LOR-65-002A

*Specifically for the Libelium GMX541:*

- Libelium Smart Agriculture Extreme Gateway

- ENV-SEN-GAT-65-003A