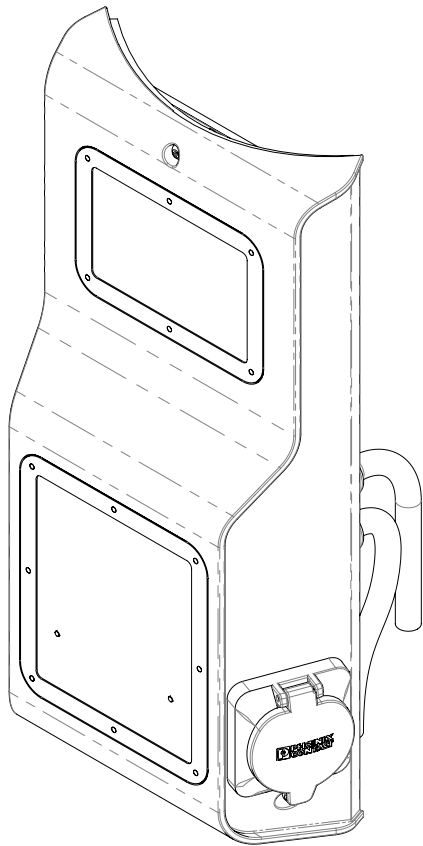
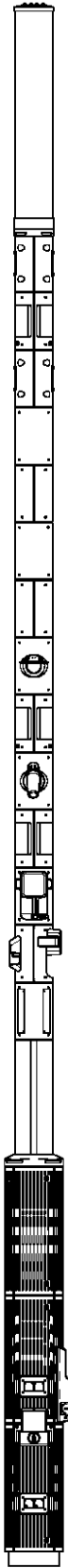




BLACKTOWN, SYDNEY



EVC (AUS), ASSEMBLED VIEW



Electric Vehicle Charging (EVC)

ENERGY

As local, state and national authorities expand EV subsidies and tax rebates, and EV vehicle popularity continues to increase, the demand for Electric Charging locations is increasing at a rapid rate. By discretely integrating an EVC within a SMART.NODE™, local authorities are able to meet this demand, whilst protecting the public realm from needless clutter.

The SMART.NODE™ is equipped to host a dedicated Electric Vehicle Charging (EVC) station that has the capacity to supply 7kW, 11kW and 22kW capacity charging to a wide variety of electrical vehicles, achieved by partnering with well-known EVC platforms to deliver the service to the wider public.

Coupling the right charging hardware with the right software application, such as Chargefox, helps Land Authorities in their bid to provide the best charging experience for communities. Chargefox runs a large-scale network of more than 400 EVCs across Australia and New Zealand, using a corresponding smartphone app to handle payments for charging sessions.

Product Options

- EVC 7kW (AUS) Jetcharge, Single Plug
- EVC 11kW (AUS) Jetcharge, Single Plug
- EVC 22kW (AUS) Jetcharge, Single Plug

- DS-EN-EVC-007-SN-001-A
- DS-EN-EVC-011-SN-001-A
- DS-EN-EVC-022-SN-001-A