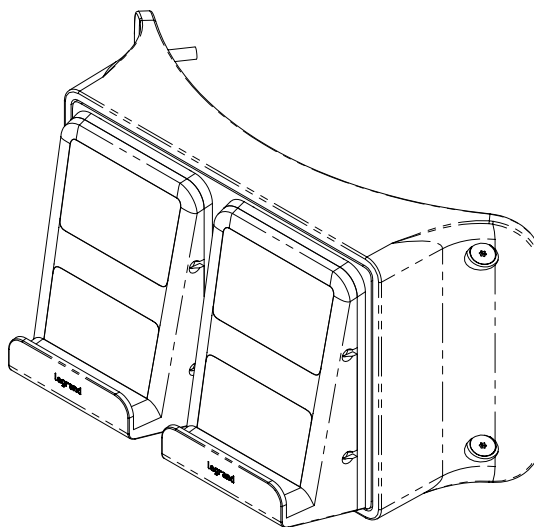




WEST HOLLYWOOD, LOS ANGELES



HORIZONTAL LEGRAND WIRELESS CHARGER, ASSEMBLED VIEW



Wireless Charging

ENERGY

With new and improved smartphone models constantly being released and battery life now an everyday concern, Digital Infrastructure needs to cater to a range of charging outlets.

The SMART.NODE™, SMART.POLE and SMART.HUB has the option for Qi wireless charging. Qi (pronounced "chee") is a wireless charging standard, and the only one currently adopted by most major phone manufacturers. Wireless charging is a technology that allows charging over short distances without cables, the advantage being that it is quicker and easier as there is no need to plug and unplug every time.

Qi is not the only wireless charging method available, but it's the first one that is supported by two of the largest and most influential smartphone makers: Samsung and Apple.

Product Options

External Wireless Qi Charging Unit

DS-EN-OUT-000-(SN/SP/SH)-003-A

